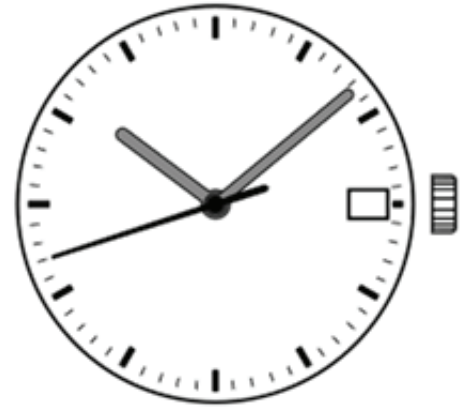


**Watch Movement Specification and Drawing**

Standard Movement

**PC32S**



Movement Size: **10 1/2"**  
 Diameter: **Φ23.70mm**  
 Height: **4.15mm**

Items	Ver.	Items	Ver.
Specification	1		
Appearance	1		
Casing	1		
Hand Fitting	1		
Hand Setting Stem	1		
Dial	1		
Casing Ring – 1	1		
Casing Ring – 2	1		
Assembly Plan	1		
Hands	1		

## CAL.PC32S 10½ Ligne Quartz Movement

### Three Hands with Date

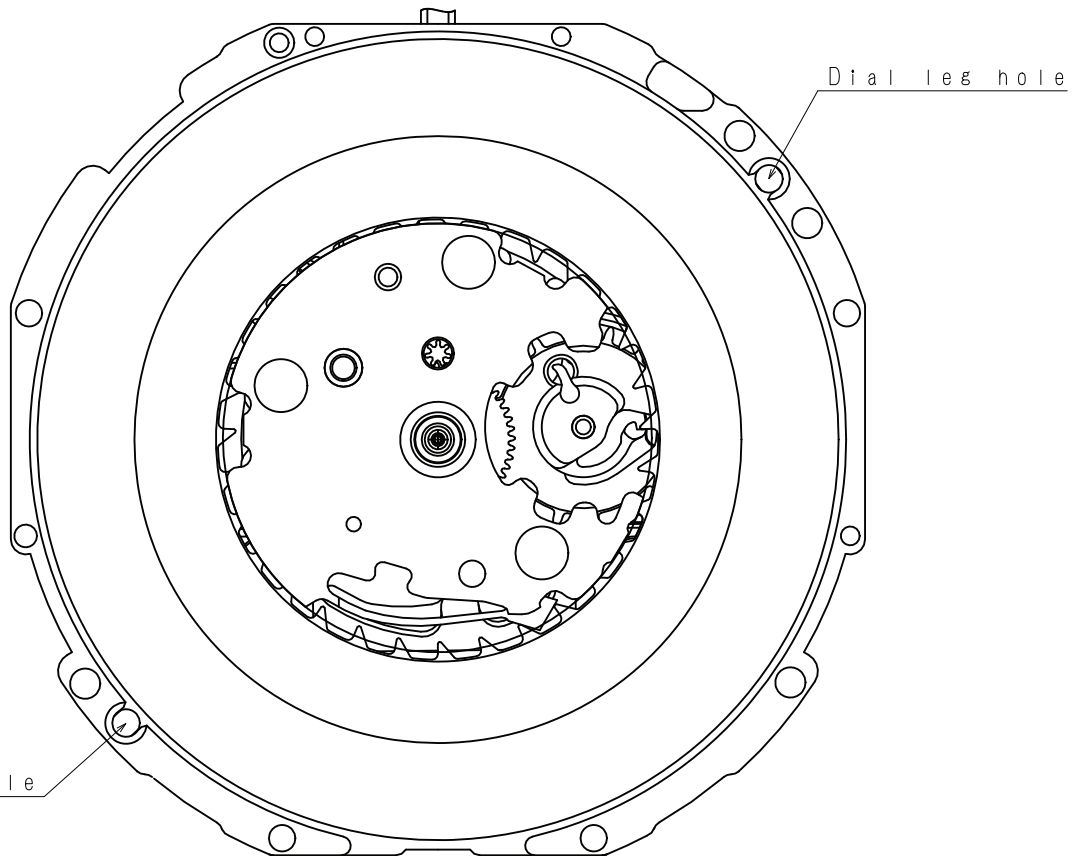
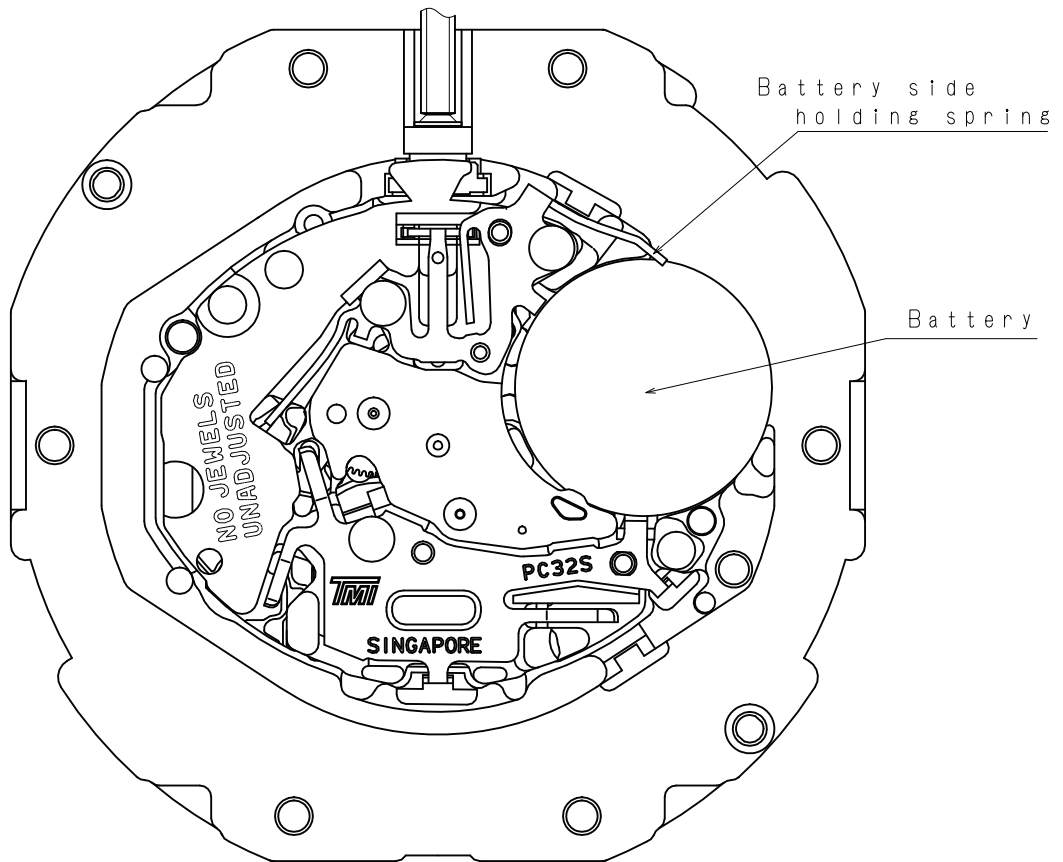
#### 1. FUNCTION

- Jewel 0 jewel
- Accuracy Less than  $\pm 30$  seconds / month (Normal temperature range)
- Battery life Approx. 3 years
- Regulation hands unbalance
  - Hour hand : Less than  $0.30 \mu\text{N}\cdot\text{m}$  ( 30 mg·mm )
  - Minute hand : Less than  $0.30 \mu\text{N}\cdot\text{m}$  ( 30 mg·mm )
  - Second hand : Less than  $0.07 \mu\text{N}\cdot\text{m}$  ( 7 mg·mm )
  
- Additional function Date display with quick date correction

#### 2. USE AND TEST CONDITION

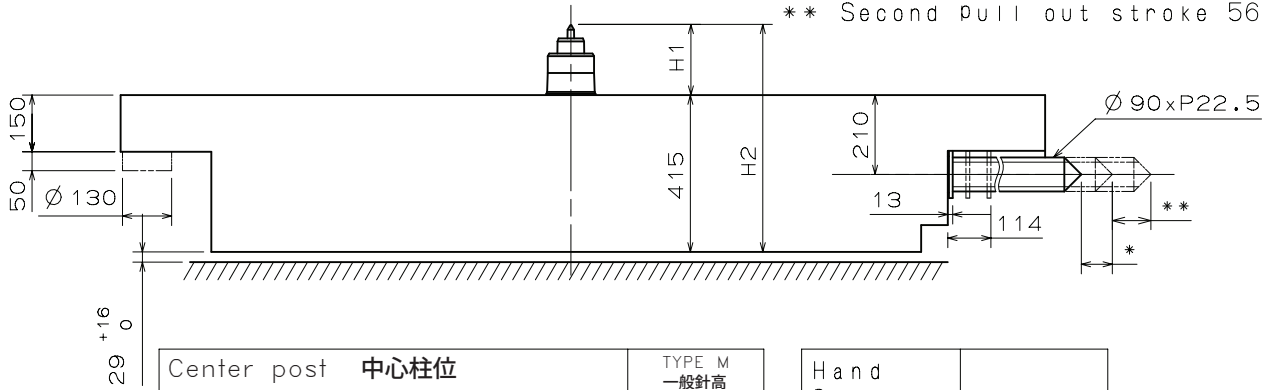
- Battery SR626SW (Recommended battery is SEIZAIKEN)
- Operation temperature range From - 5 °C to + 50 °C
- Antimagnetic  $\geq 1600$  A / m (Direct current magnetic field)
- Test of accuracy 10 seconds (Duration of measurement)

**\* All specifications are subject to change without notice.**



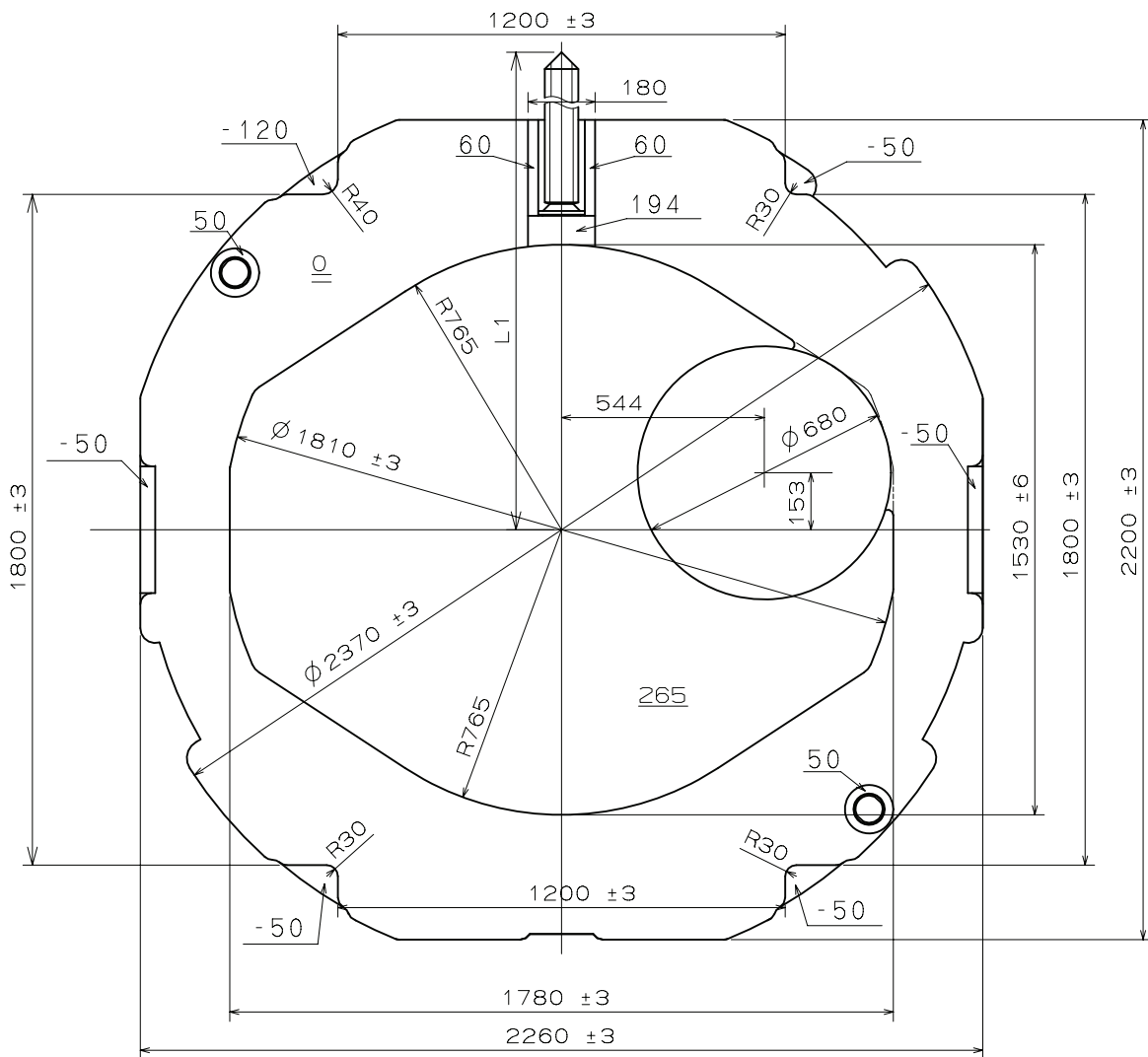
Battery Side Holding spring Type

\* First pull out stroke 45  
 \*\* Second pull out stroke 56



Center post 中心柱位		TYPE M 一般針高
Maximum height from Dial support surface 與錶面座落平面的最大高度	H1	185
Total height incl. movement 機芯總高度	H2	600

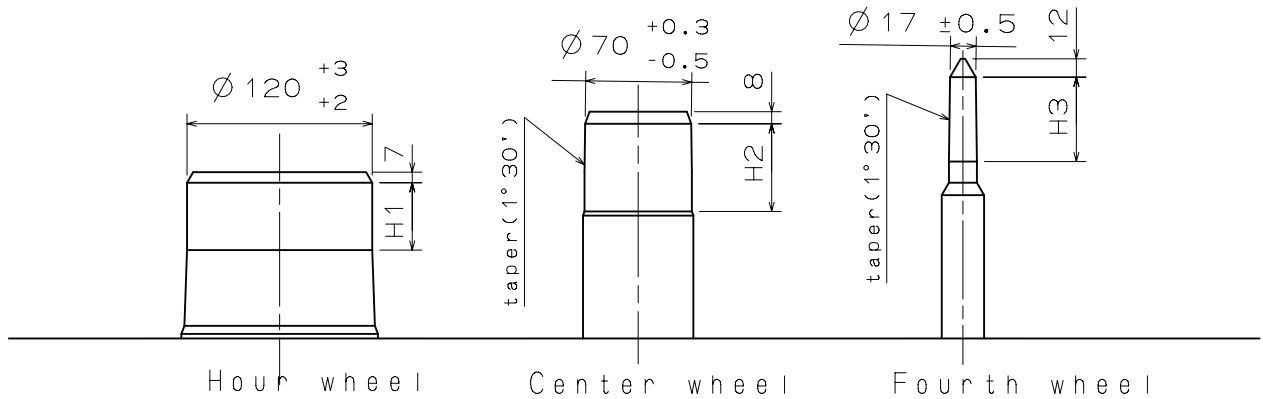
Hand Setting Stem	TYPE A
L1	2210.5



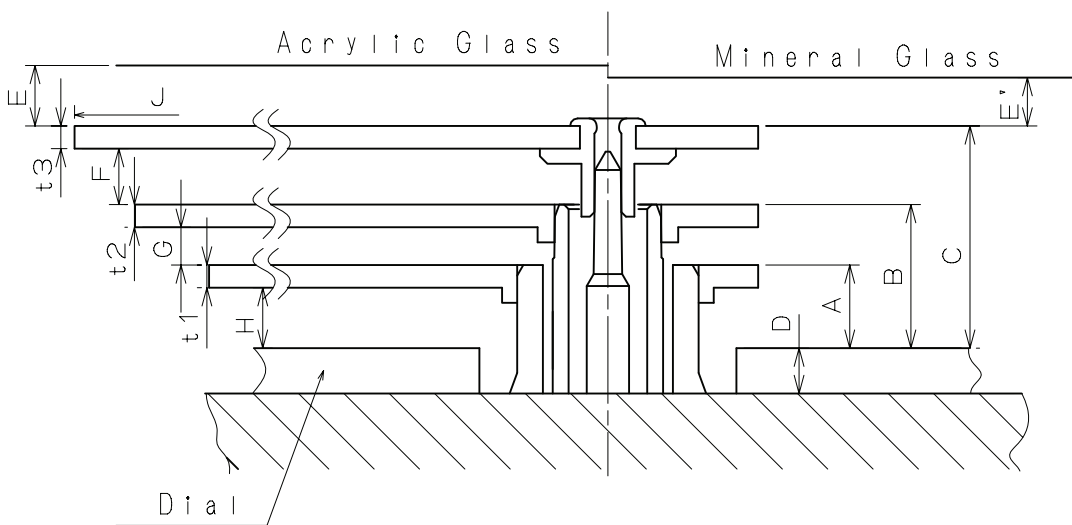
Unit : 1=1/100mm

Version : 1

Hour hand unbalance  $\leq 0.3\mu\text{N}\cdot\text{m}$  (30mg $\cdot$ mm)  
 Minute hand unbalance  $\leq 0.3\mu\text{N}\cdot\text{m}$  (30mg $\cdot$ mm)  
 Second hand unbalance  $\leq 0.07\mu\text{N}\cdot\text{m}$  (7mg $\cdot$ mm)

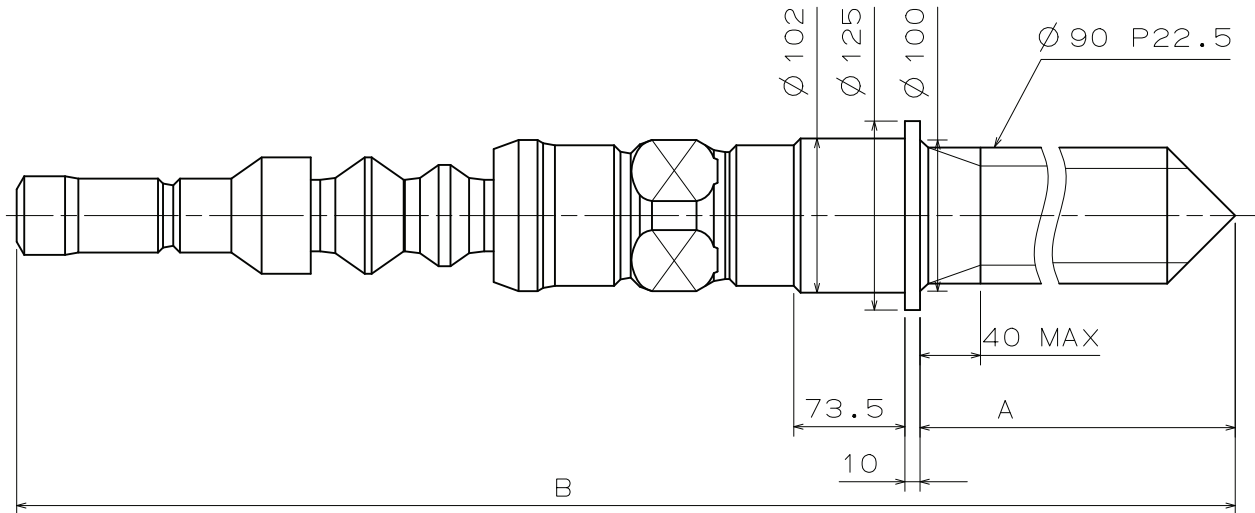


	Dimension		
	H1	H2	H3
TYPE M 一般針高	43	61	55



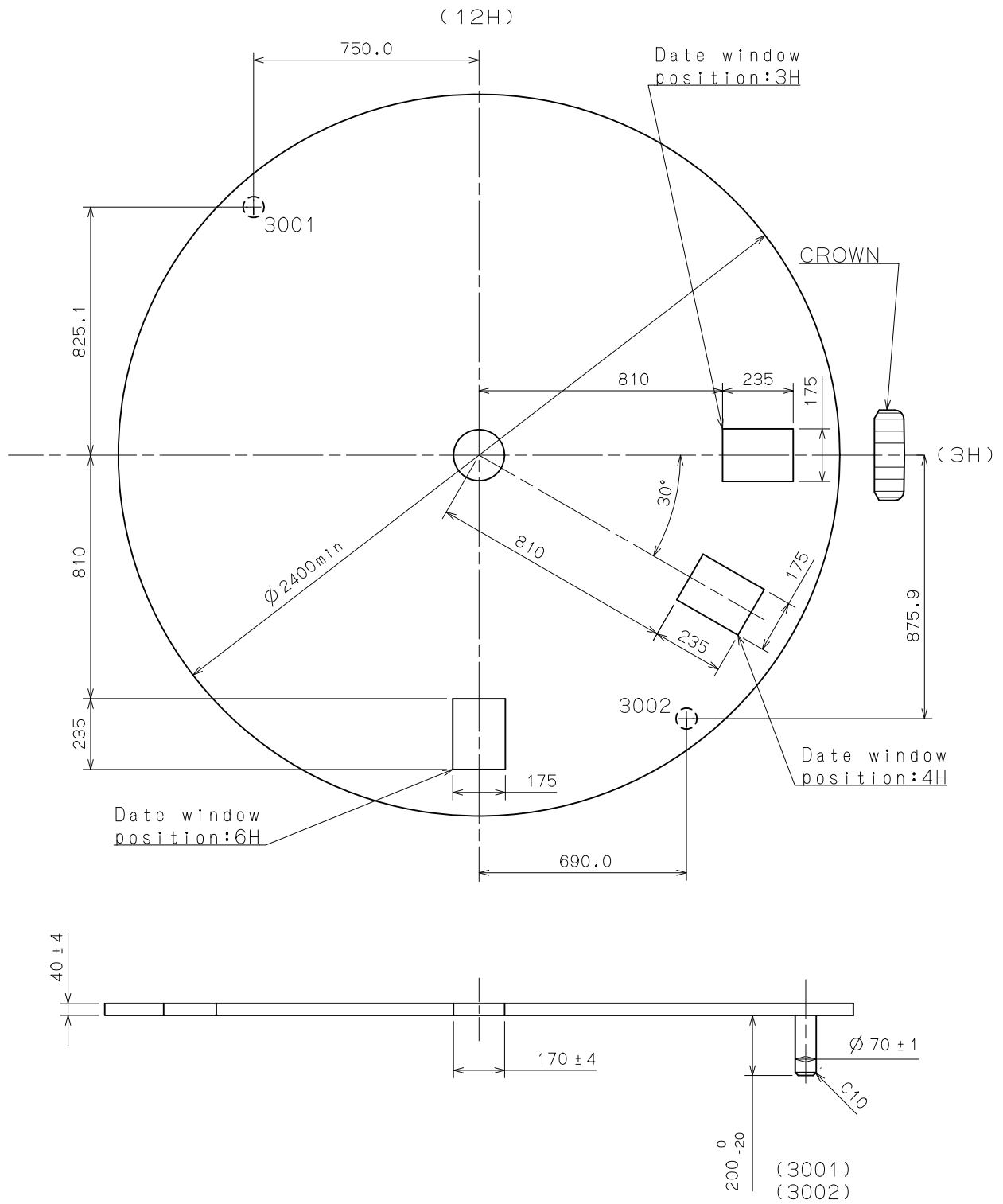
	A	B	C	D	E	E'	F	G	H	t1	t2	t3
TYPE M 一般針高	70	110	162	40	*	*	37	25	55	15	15	15

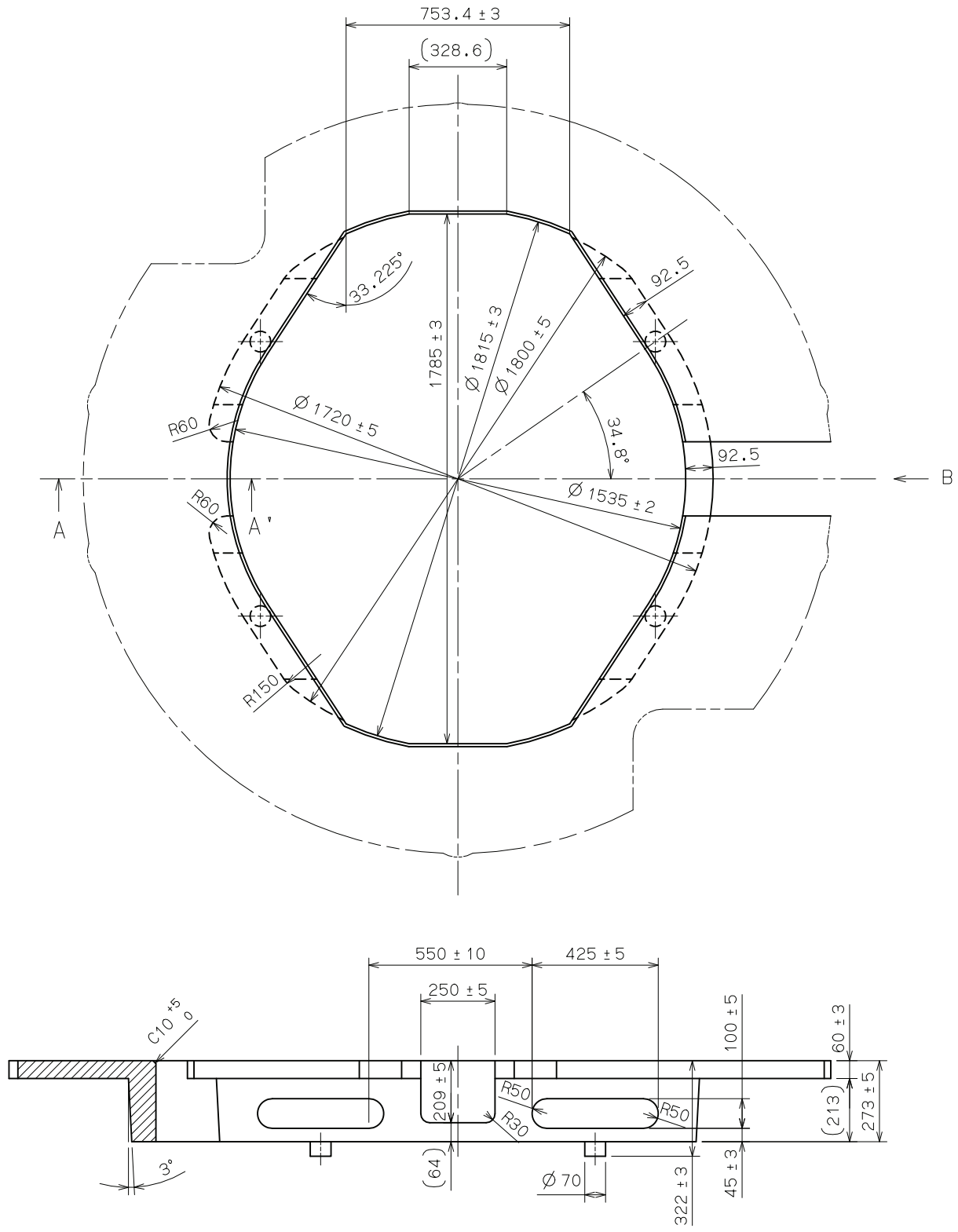
*	J		
		Max 800	800~850
E'	Min 40	Min 45	Min 65
E	Min 48	Min 53	Min 73



	Part No.	A	B
TYPE A	0354 300	1355	1952.5

Do not lubricate the hand setting stem.





SECTIONAL VIEW of A-A'

SIDE VIEW from B DIRECTION

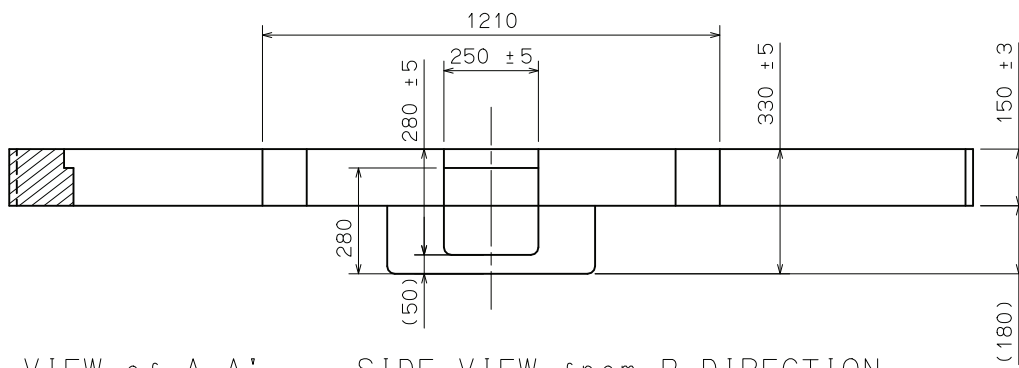
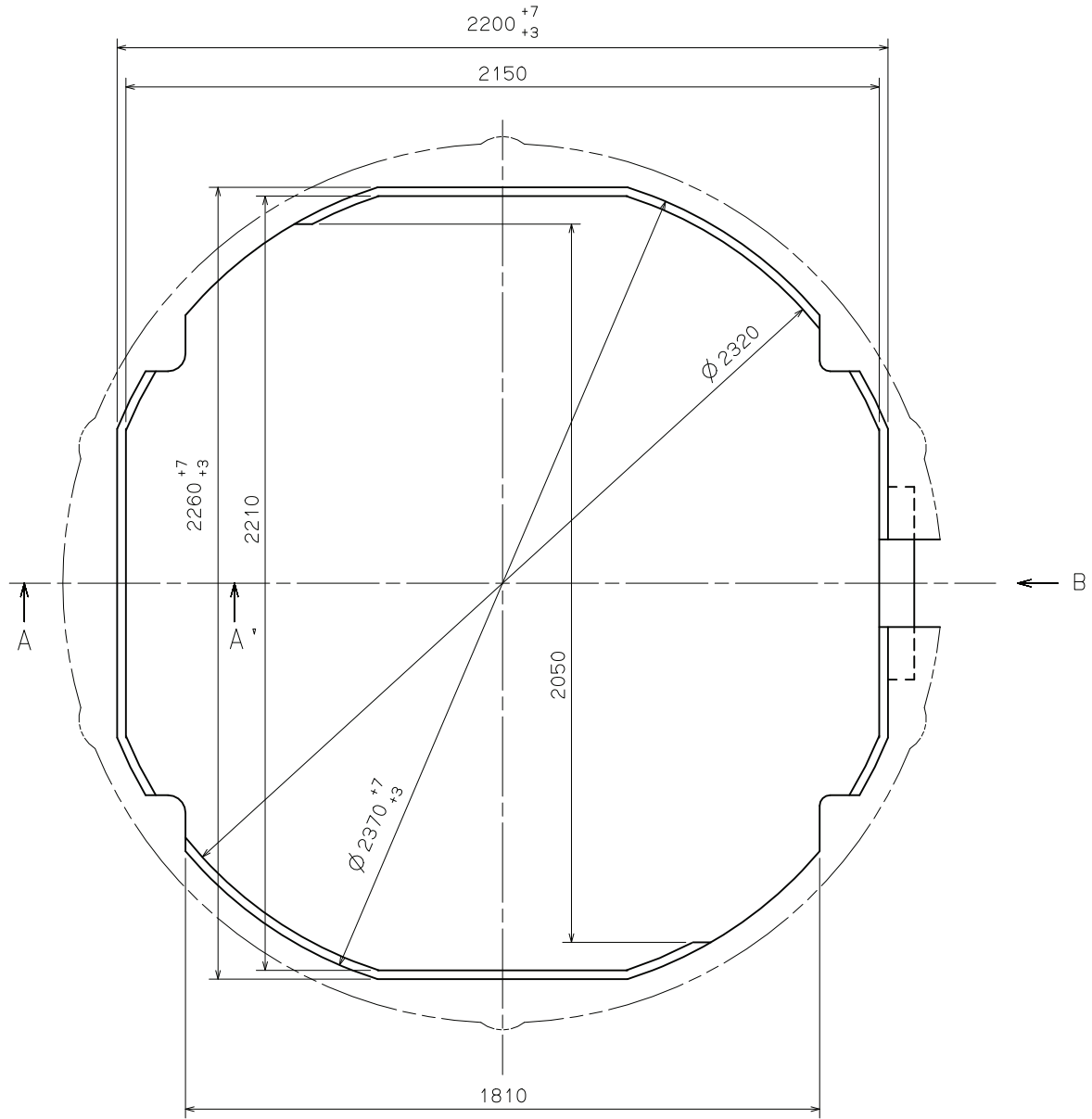
Unit : 1=1/100mm

Version : 1



# Casing Ring - 2

PC32S

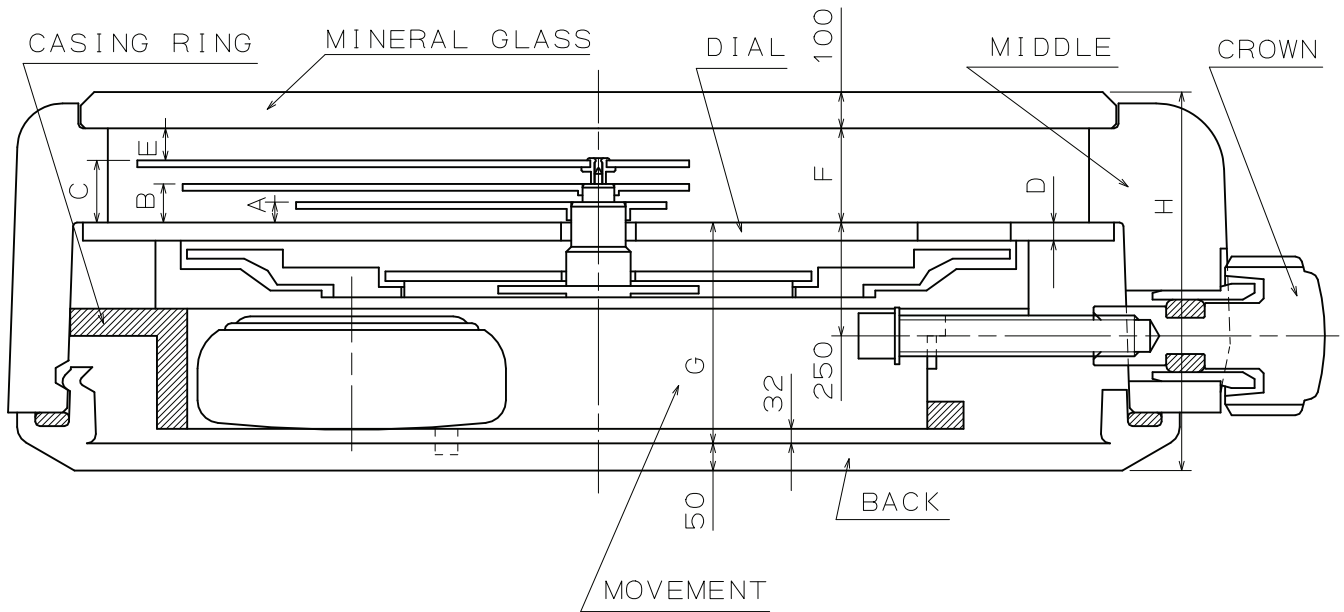


SECTIONAL VIEW of A-A'

SIDE VIEW from B DIRECTION

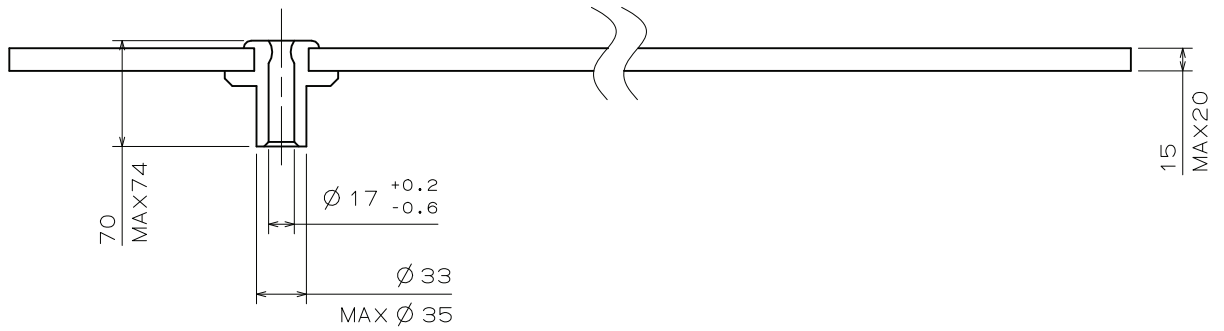
Unit : 1=1/100mm

Version : 1

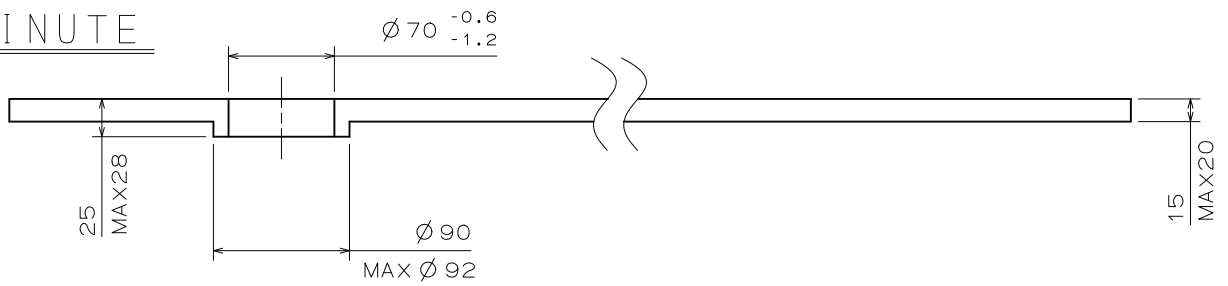


	A	B	C	D	E	F	G	H
TYPE M	70	110	162	40	65	227	487	864

SECOND



MINUTE



HOUR

