

Cal. NH05A

ϕ 17.50 mm

H 5.92 mm
(with Dial support)

Item	Version No.
Specification	Version 1
Appearance - 1	Version 2
Appearance - 2	Version 1
Casing	Version 1
Hand Fitting	Version 1
Hand Setting Stem	Version 1
Dial - 1	Version 2
Dial - 2	Version 1
Dial Support	Version 1
Casing Ring	Version 1
Assembly Plan	Version 1
Hands	Version 1



MOVEMENT SPECIFICATION

CAL.NH05A 7 3/4 Ligne Mechanical Movement Three Hands with Date

1. MOVEMENT DIMENSIONS

- Outside diameter ϕ 17.50 mm
- Casing diameter ϕ 17.20 mm
- Total height 5.92 mm (with dial support)

2. BASIC FUNCTIONS

- Winding mechanism
 - Manual winding
 - Automatic winding with ball bearing
 - Both winding with one way clutch
- Calendar
 - Date display with quick date correction
- Shock resistance
 - Shock-absorber device for balance staff
- Jewels
 - 21 jewels
- Regulation hands unbalance
 - Second : Less than 0.11 $\mu\text{N}\cdot\text{m}$ (11 mg $\cdot\text{mm}$)
 - Minute : Less than 0.75 $\mu\text{N}\cdot\text{m}$ (75 mg $\cdot\text{mm}$)
 - Hour : Less than 1.00 $\mu\text{N}\cdot\text{m}$ (100 mg $\cdot\text{mm}$)
- Antimagnetic
 - DC : \geq 4800 A / m

3. TIME PERFORMANCE

- Accuracy
 - 35 ~ +55 second per day
 - at normal temperature range
- Vibration frequency
 - 21,600 vibrations per hour
- Duration time
 - More than 40 hours

4. HANDLING AND CORRECTIONS

- 1) Crown at normal position
 - Clockwise : Manual winding
 - Counterclockwise : Free
- 2) Crown pulled out to 1st click
 - Clockwise : Free
 - Counterclockwise : Quick date correction
- 3) Crown pulled out to 2nd click
 - Time setting

5. DIAL FIXED METHOD

The dial is fixed by two dial leg holes with eccentric pins

6. FITTING FORCE FOR HANDS

Second hand : Less than 30 N
Minute hand : Less than 50 N
Hour hand : Less than 50 N

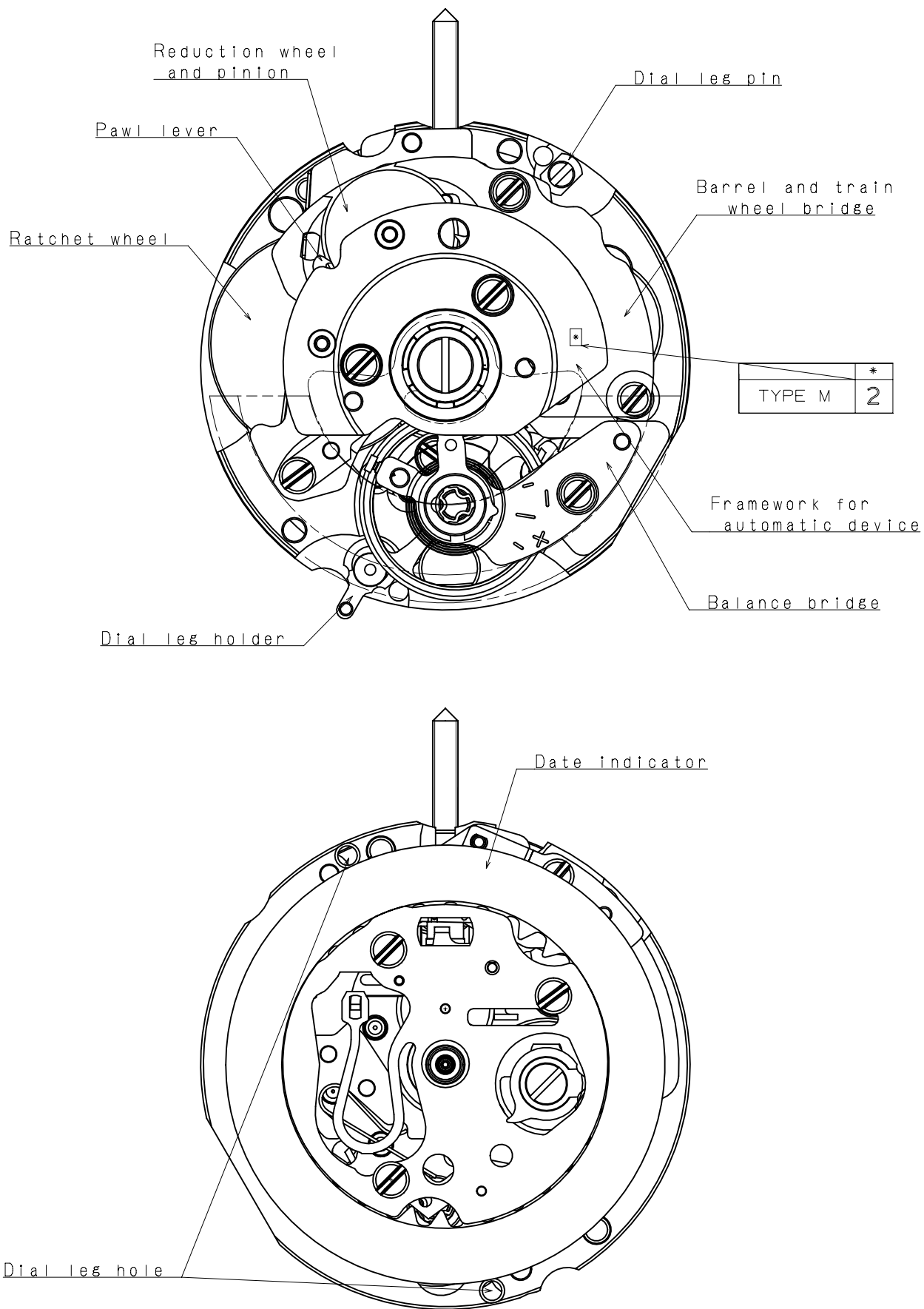
7. CASING

The movement is fixed by casing ring
*1. Non-corresponding with Diver's watch

8. TEST OF ACCURACY

- Equipment to be used
 - Witschi WATCH EXPERT (II)
- Duration of measurement
 - 20 seconds

*** All specifications are subject to change without notice.**



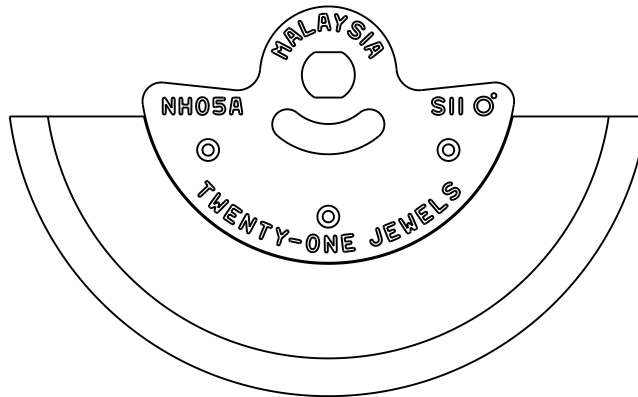
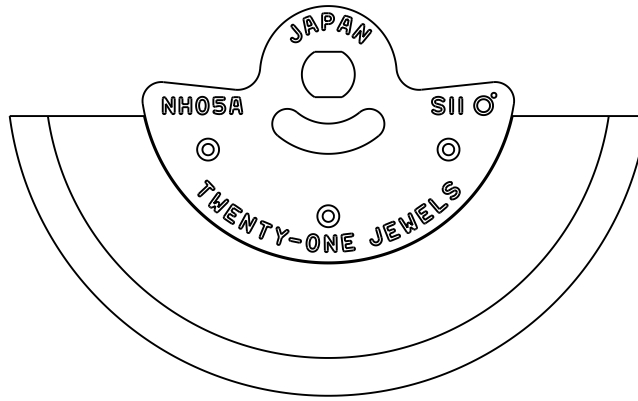
Scale : 5/1

Version : 2

Unit : 1=1/100mm

Oscillating weight

Marking	Country of origin
JAPAN	JAPAN
MALAYSIA	MALAYSIA

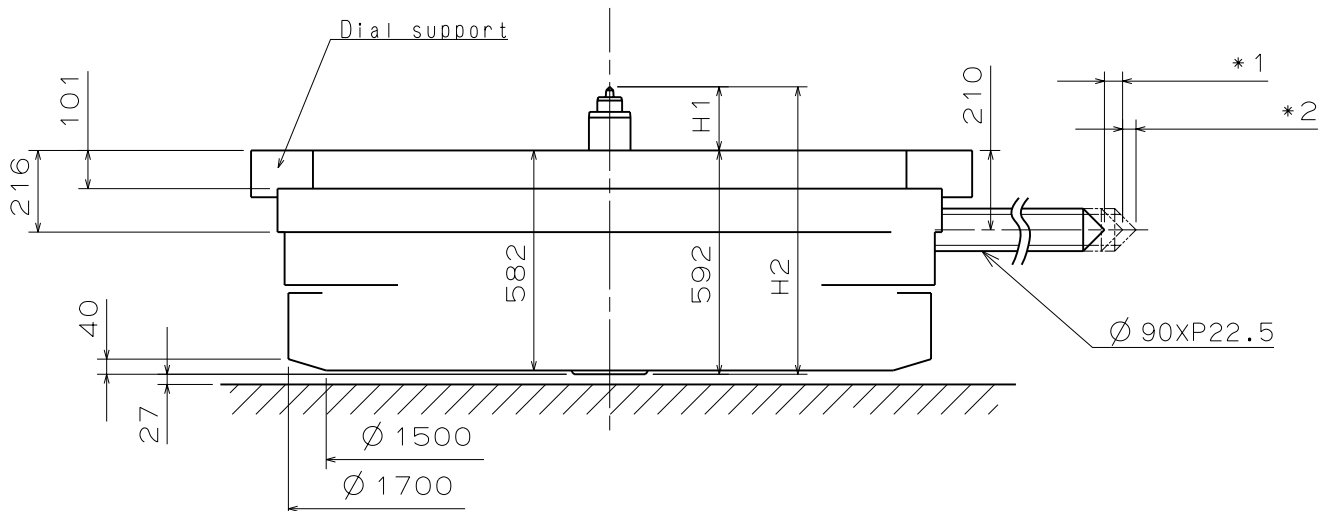


Scale : 5/1

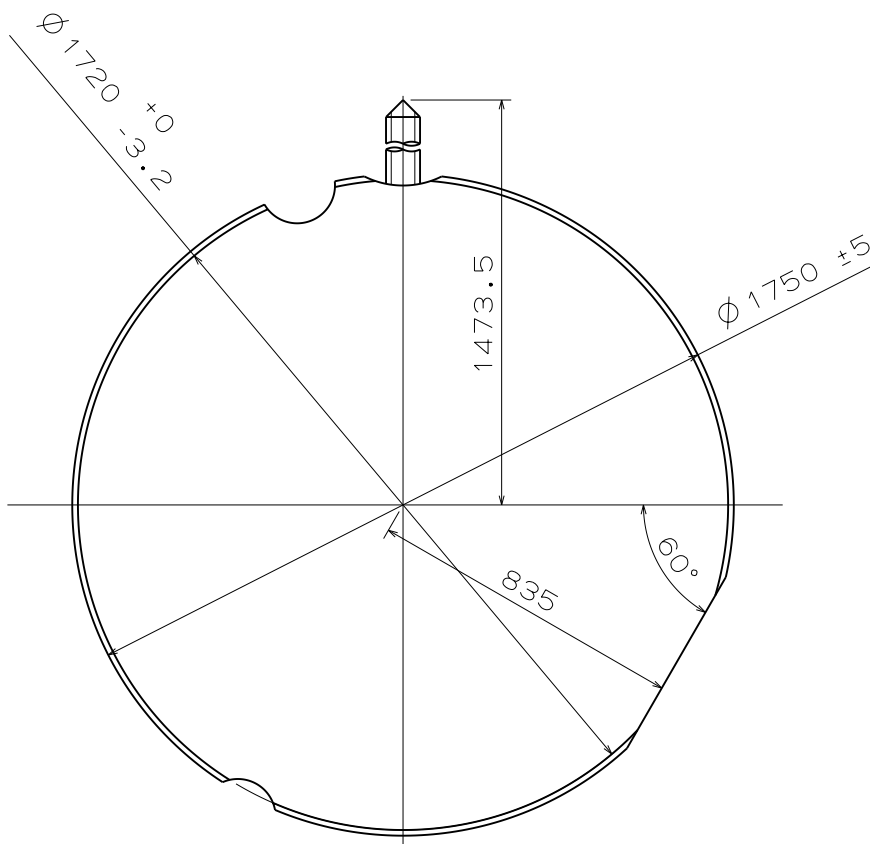
Unit : 1=1/100mm

Version: 1

- *1. First pull out stroke 48.0
- *2. Second pull out stroke 35.5



Center post		Type M
Maximum height from dial support surface	H1	168.4
Total height incl. movement	H2	760.4



Scale : 5/1

Unit : 1=1/100mm

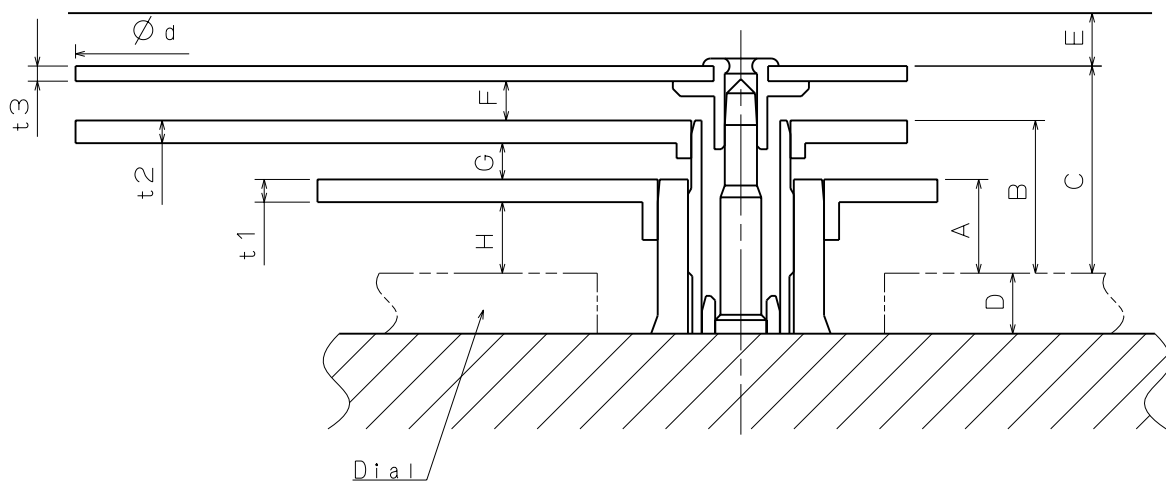
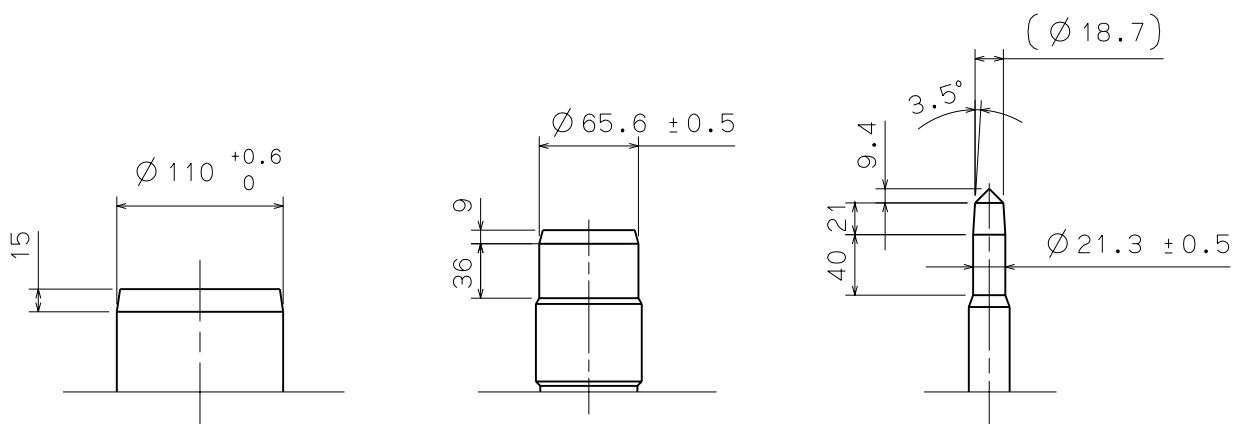
Version:1

Hour hand unbalance $\leq 1.00\mu\text{N}\cdot\text{m}$ (100mg·mm)
 Minute hand unbalance $\leq 0.75\mu\text{N}\cdot\text{m}$ (75mg·mm)
 Second hand unbalance $\leq 0.11\mu\text{N}\cdot\text{m}$ (11mg·mm)

HOUR HAND FITTING
 Hour wheel:0271 425

MINUTE HAND FITTING
 Cannon pinion:0225 422

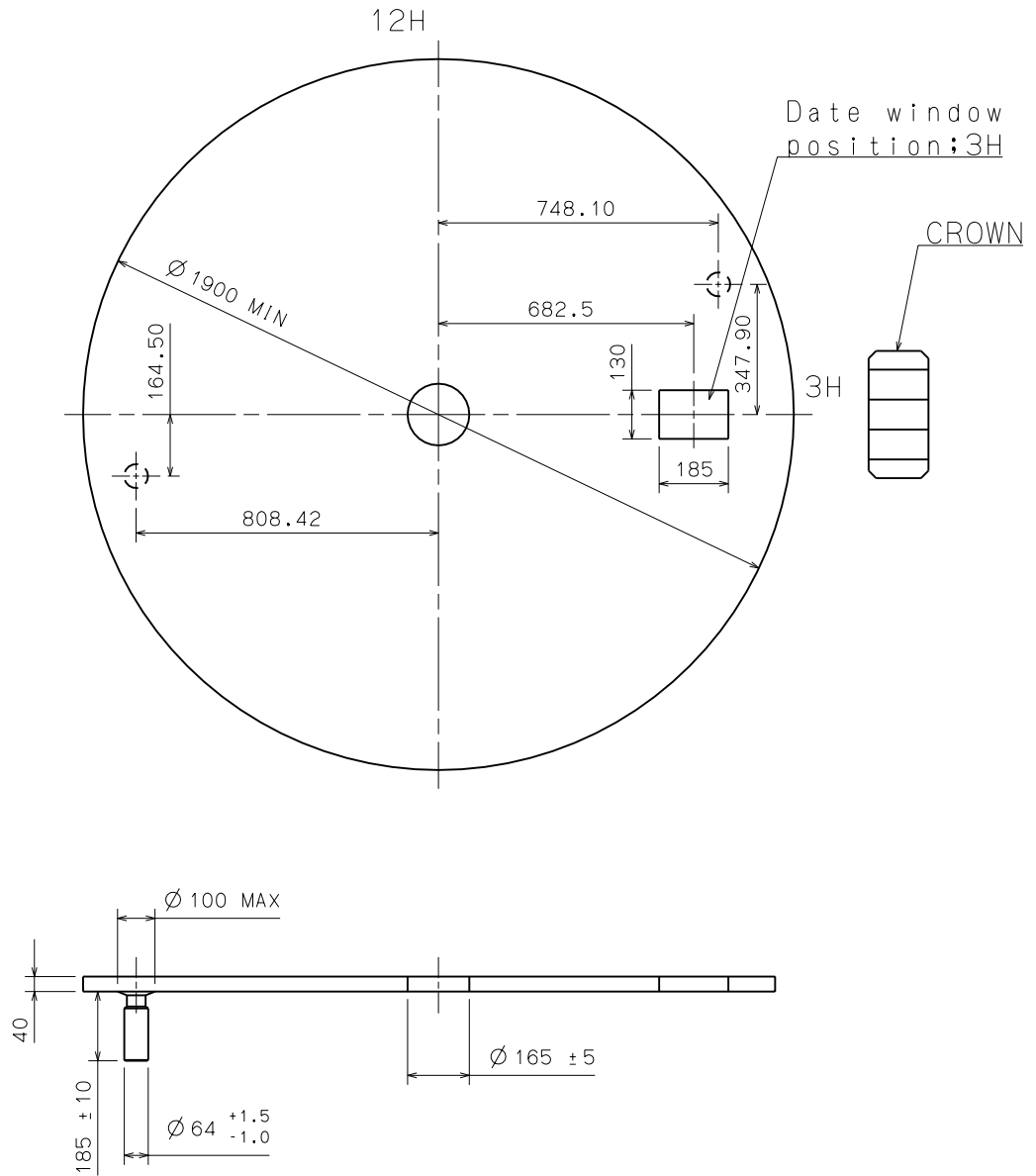
SECOND HAND FITTING
 Center second pinion:0245 425



	A	B	C	D	E	F	G	H	t1	t2	t3	ϕd
TYPE M	62	101	137	40	35	26	24	47	15	15	10	$\phi 1900\text{MAX}$

Scale : 20/1
 Unit : 1=1/100mm

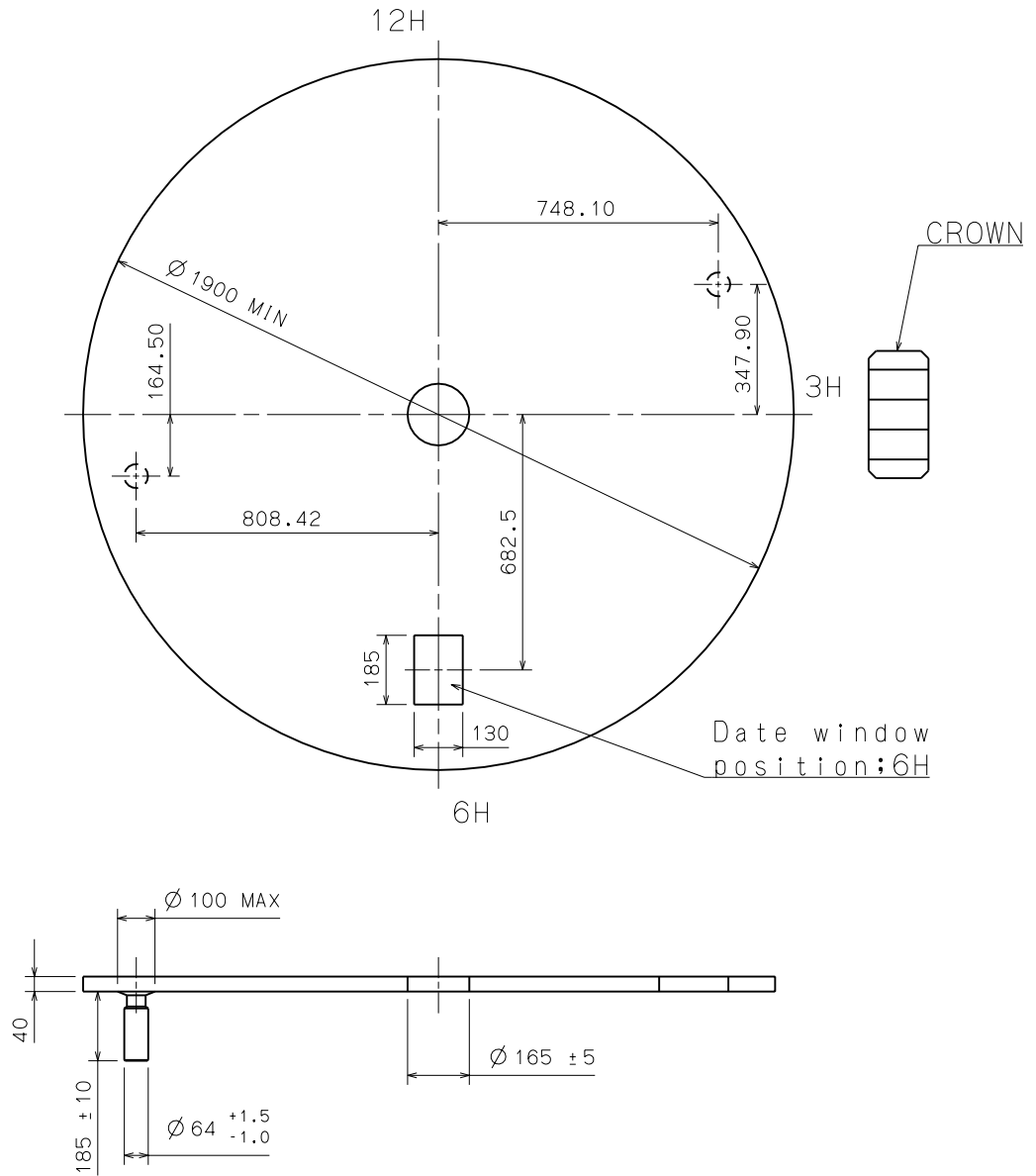
Version : 1



Scale : 5/1

Unit : 1=1/100mm

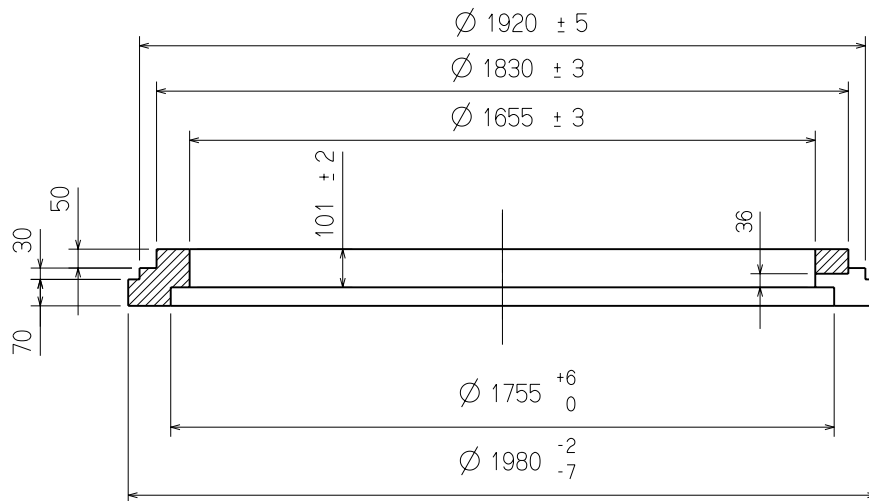
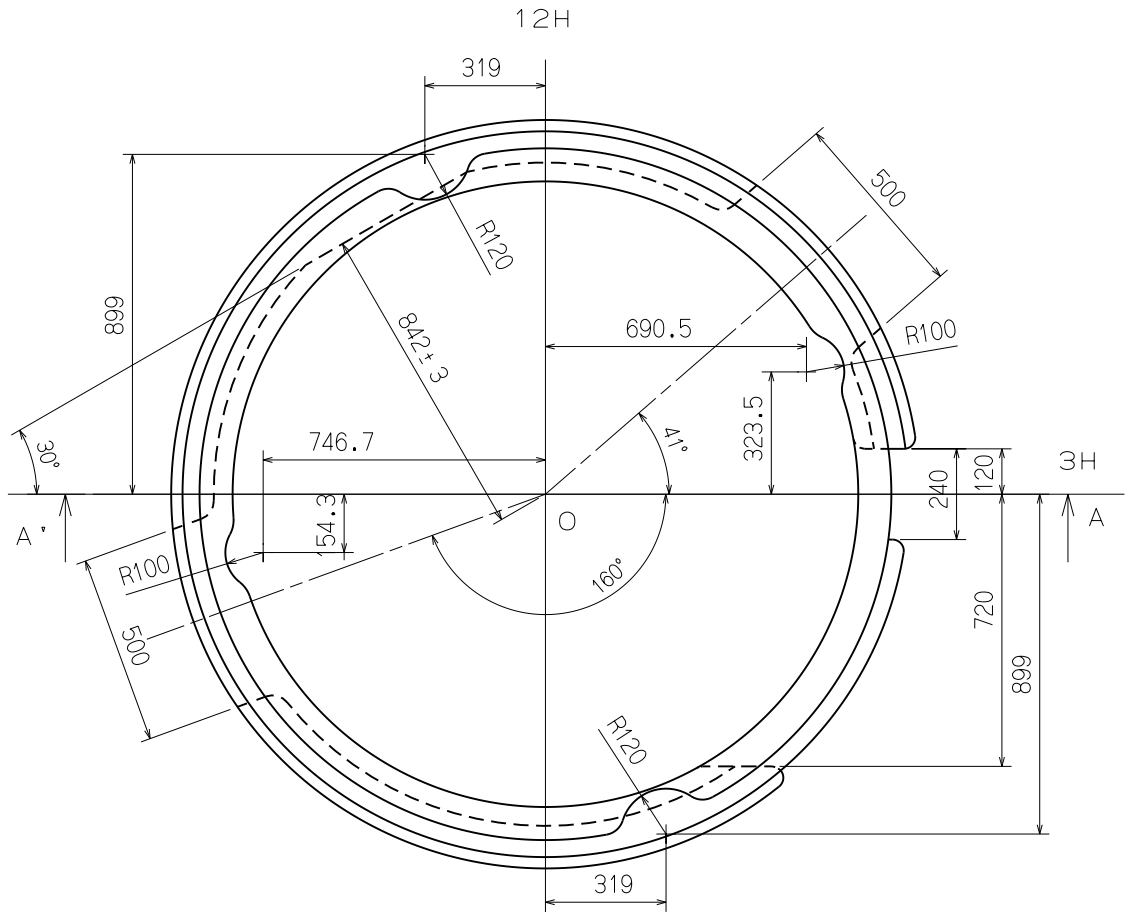
Version:2



Scale : 5/1

Unit : 1=1/100mm

Version:1

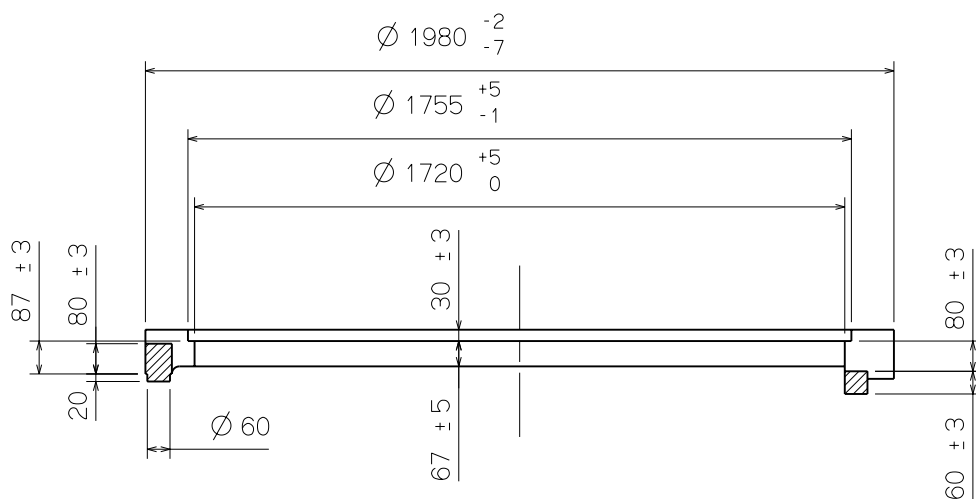
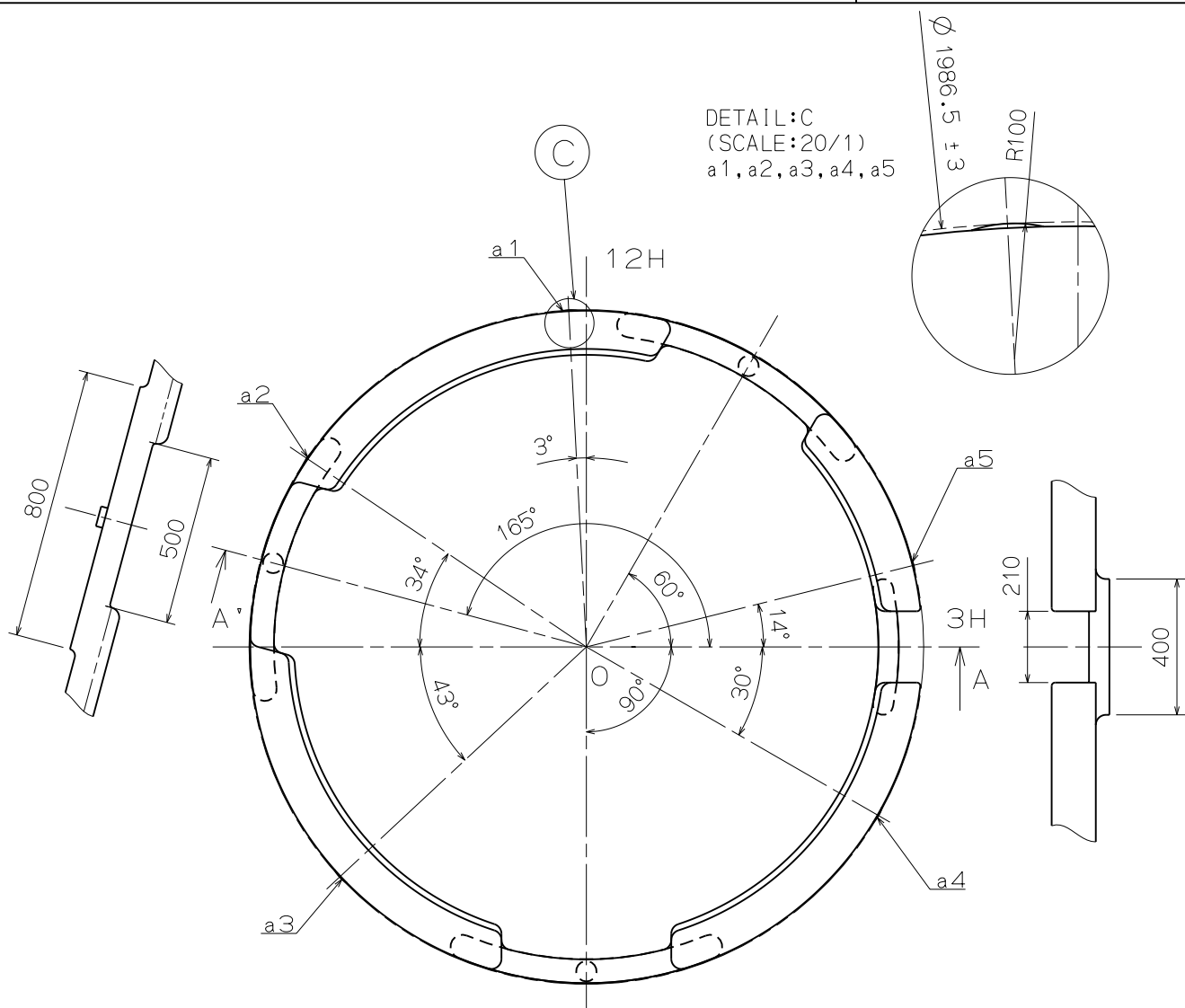


A'-A Section

Scale : 5/1

Unit : 1=1/100mm

Version: 1

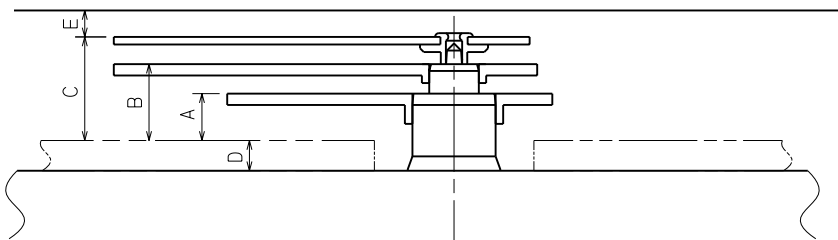
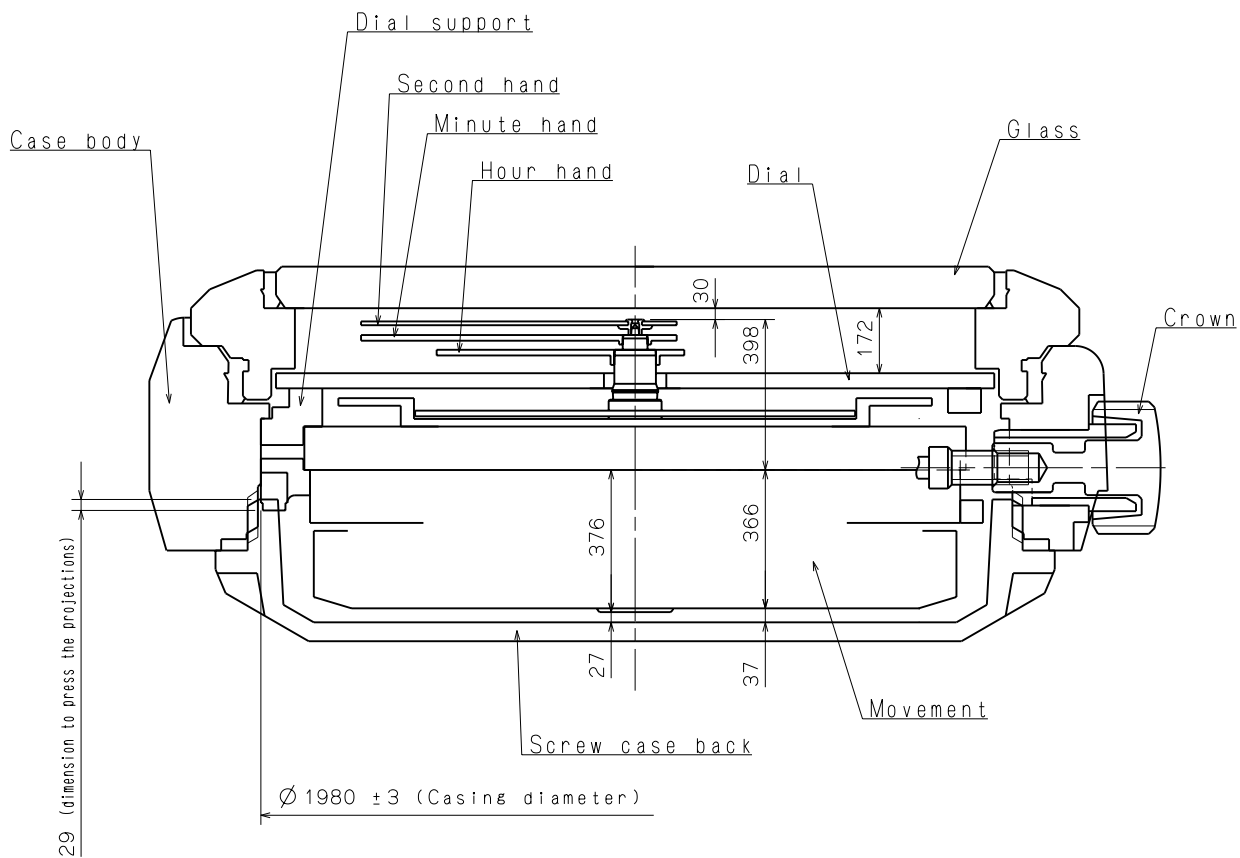


A'-O-A section

Scale : 5/1

Unit : 1=1/100mm

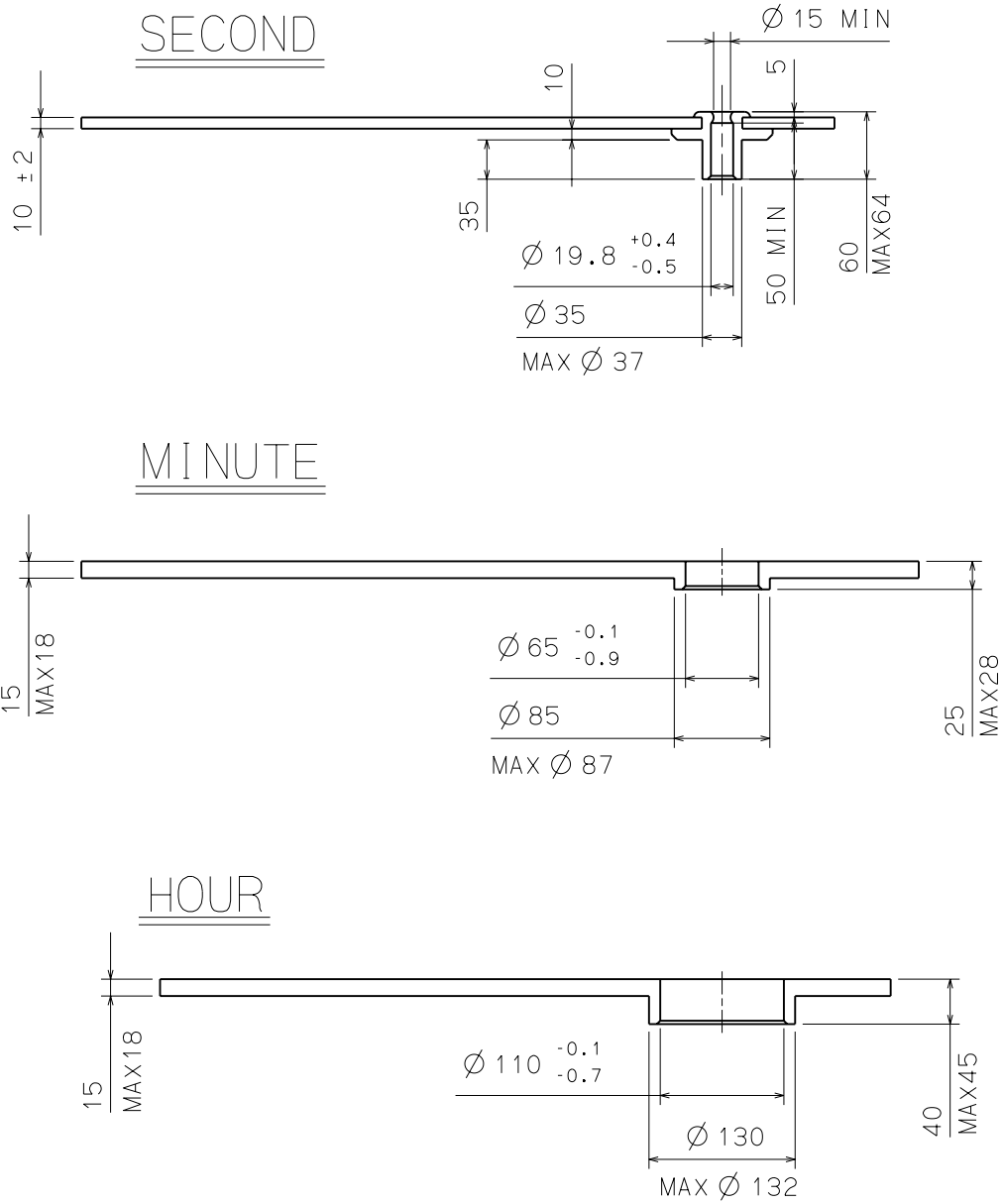
Version: 1



	A	B	C	D	E
TYPE M	62	101	137	40	35

Scale : -
Unit : 1=1/100mm

Version:1



Scale : -

Unit : 1=1/100mm

Version : 1