



# Cal. VX3RE

$\phi$  23.3 mm  
H 3.05 mm

Items	Rev.	Page
Specifications	02	1
Appearance	01	2
Casing	02	3
Hand fitting	01	4
Hand setting stem	01	5
Dial	00	6
Casing ring	00	7

Date: 9/Mar./'09

S.EPSON Products

## MOVEMENT SPECIFICATIONS

CAL. VX3R

Analog Quartz 10 1/2" Slim Movement / 3 hands (H/M/S) and 2 eyes  
with Date / 24Hour indicators

## 1. MOVEMENT DIMENSIONS

*Outside diameter	$\phi$ 24.00mm × 21.50mm(3-9H) × 21.50mm(12-6H)
*Casing diameter	$\phi$ 23.30mm × 21.30mm(3-9H) × 21.50mm(12-6H)
*Total height	3.05mm ( including battery )

## 2. TIME STANDARD

*Type of quartz oscillator	Tuning fork
*Frequency of quartz oscillator	32,768 Hz
*Accuracy	±20 seconds per month ( on wrist )
*Operating temperature range	-5°C to +50°C
*Regulation device	Nil ( Pre-adjusted )

## 3. INDICATOR / FUNCTIONS

*3 Hands	Hour / Minute / Second
*2 Small hands	Date / 24Hour
*Reset switch	
*Setting mechanism	Crown at normal position : Free Crown pulled out 1st click : Instant date change Crown pulled out 2nd click : Time setting / Reset

## 4. FEATURES

*Jewels	0 Jewel
*Anti-magnetism	Over 1600A/m ( Direct current magnetic field )
*Maximum unbalance of hands	Second hand : 7 mg•mm Minute hand : 60 mg•mm Hour hand : 50 mg•mm

## 5. BATTERY

*Type / Size	Silver oxide battery / $\phi$ 9.5mm × t 2.0mm
*Recommended battery	SR920SW ( Maxell, Panasonic, Sony, Seizaiken )
*Nominal voltage	1.55 V
*Battery life	Approx. 3 years
*Driving current consumption	Approx. 1.50 $\mu$ A
*Operation stopping voltage	1.1 V

## 6. SEPARATED PARTS (Parts code)

*Hand setting stem	0351177 or 0351577
*Battery	SR920SW

## 7. TEST OF ACCURACY

*Equipment to be used	SEIKO quartz tester QT-99, Greiner quartz timer-C , Witschi Q-tester 4000
*Duration of measurement	10 seconds
*Microphone to be used	Electromagnetic detection type

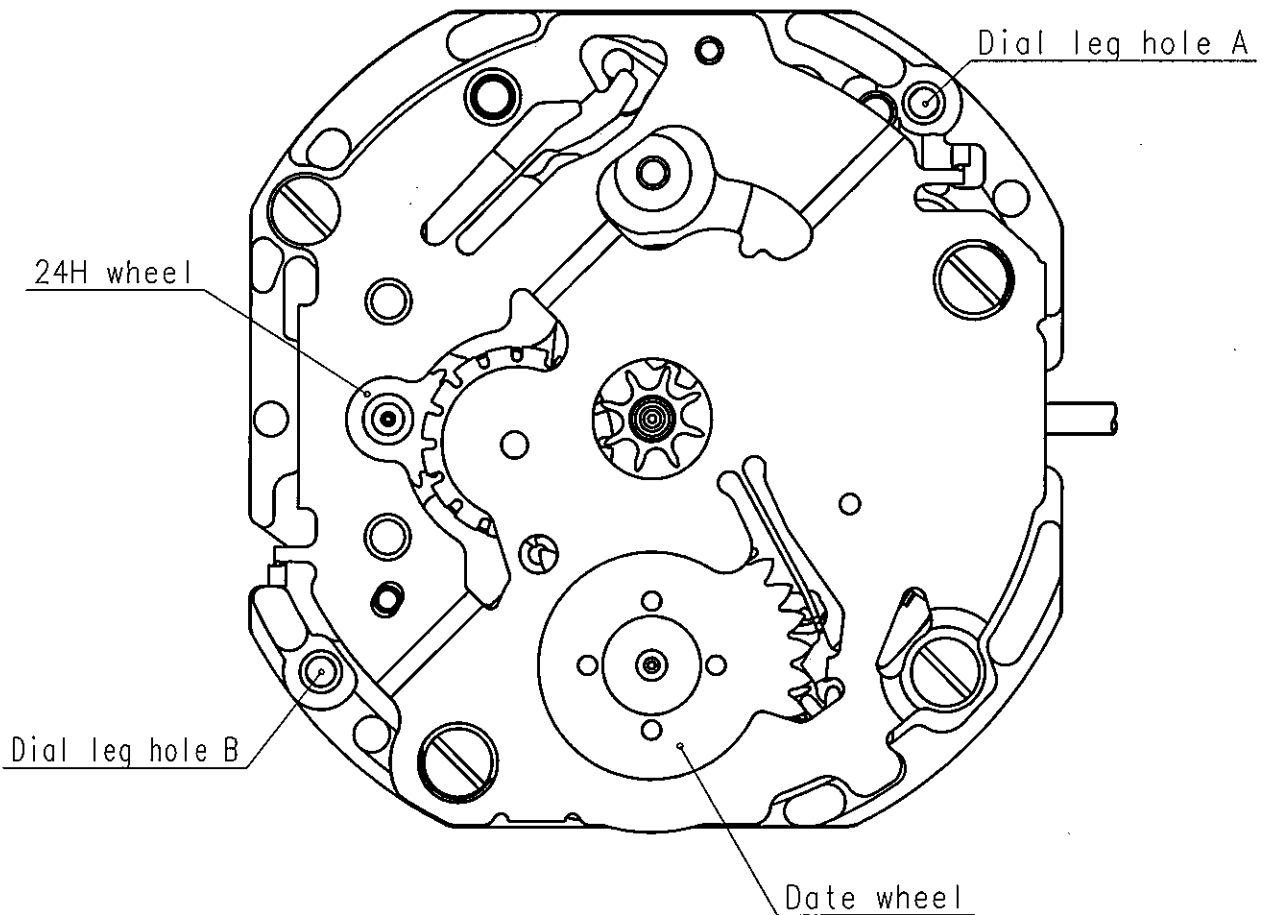
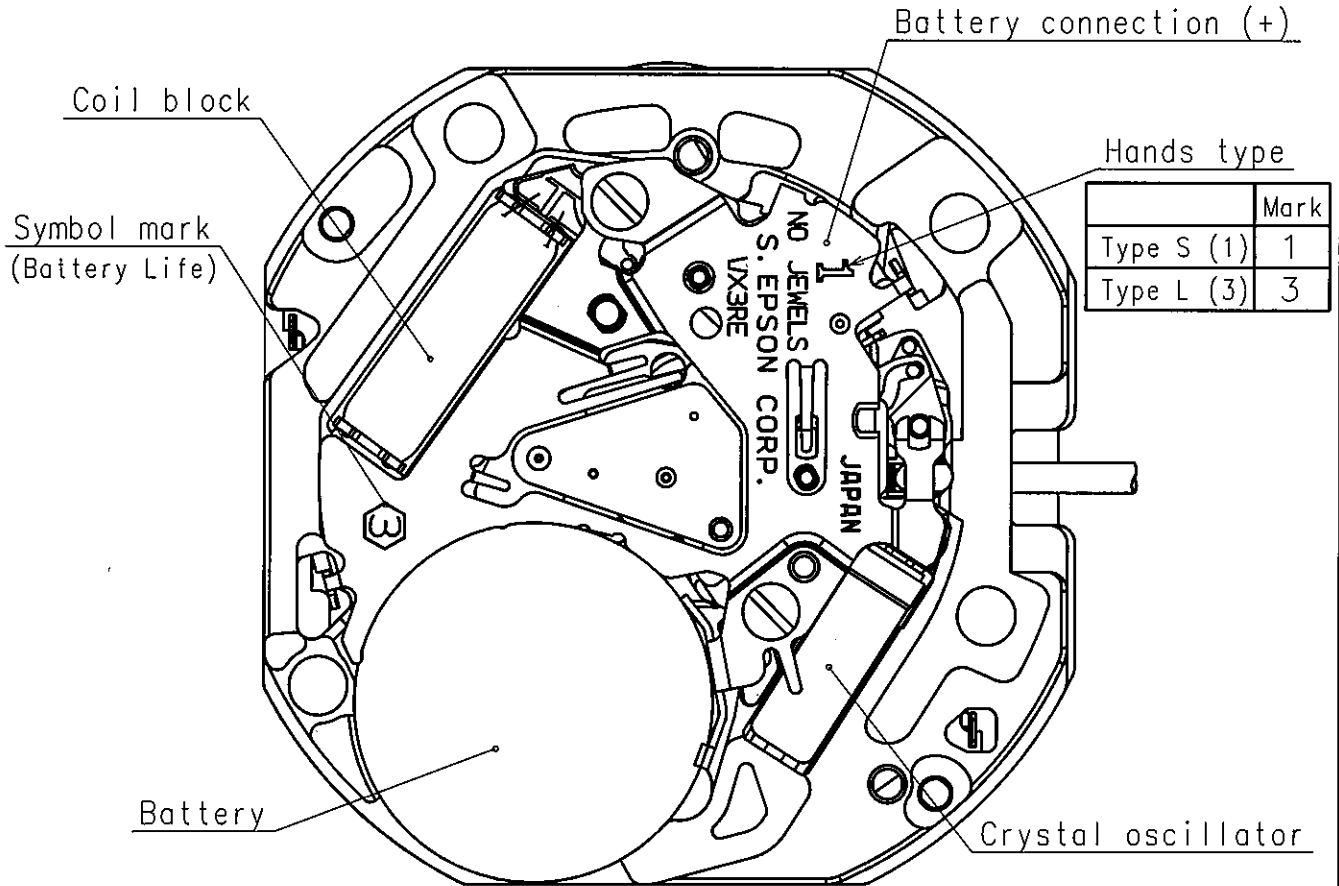
All specifications are subject to change without notice.

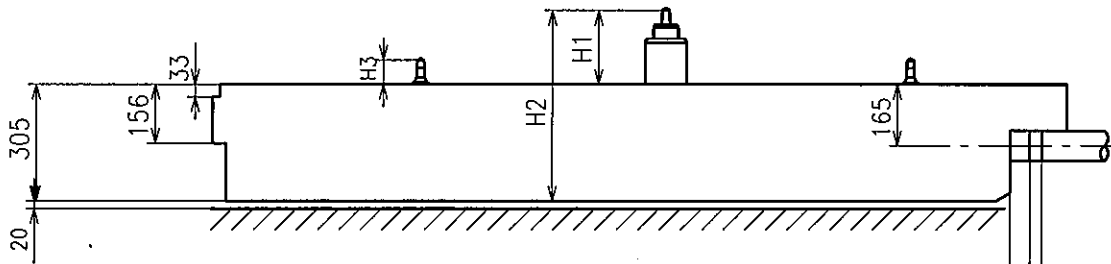
Cal.  
VX3RE

# Appearance

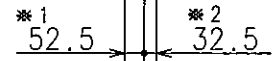
Date: 9/Mar./'09

Rev.: 01



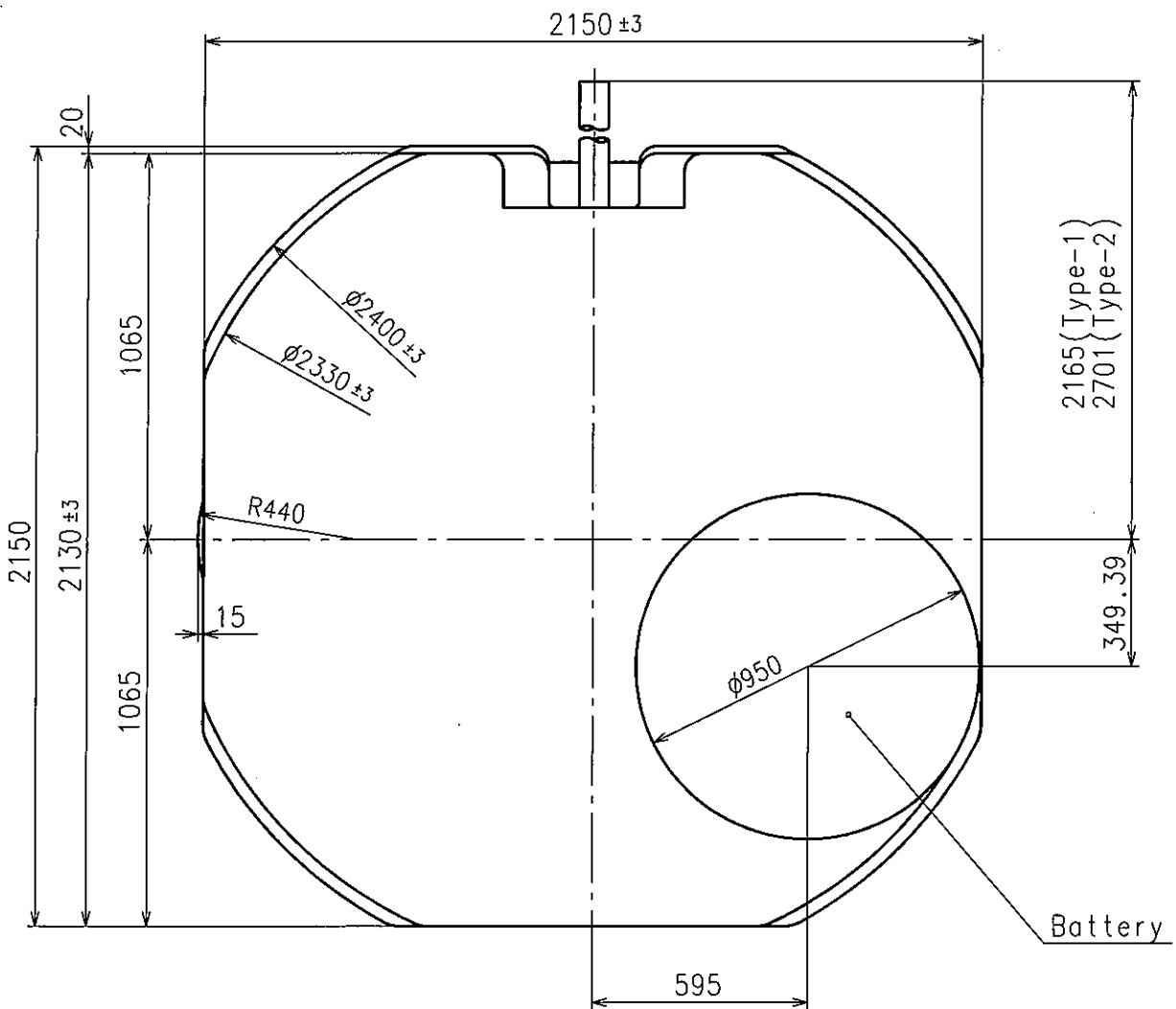


Center post		Type S (1) VX3RE1	Type L (3) VX3RE2
Maximum height from dial support	H1	180	242
Total height incl. movement	H2	485	547
Maximum height from dial support	H3	63	111

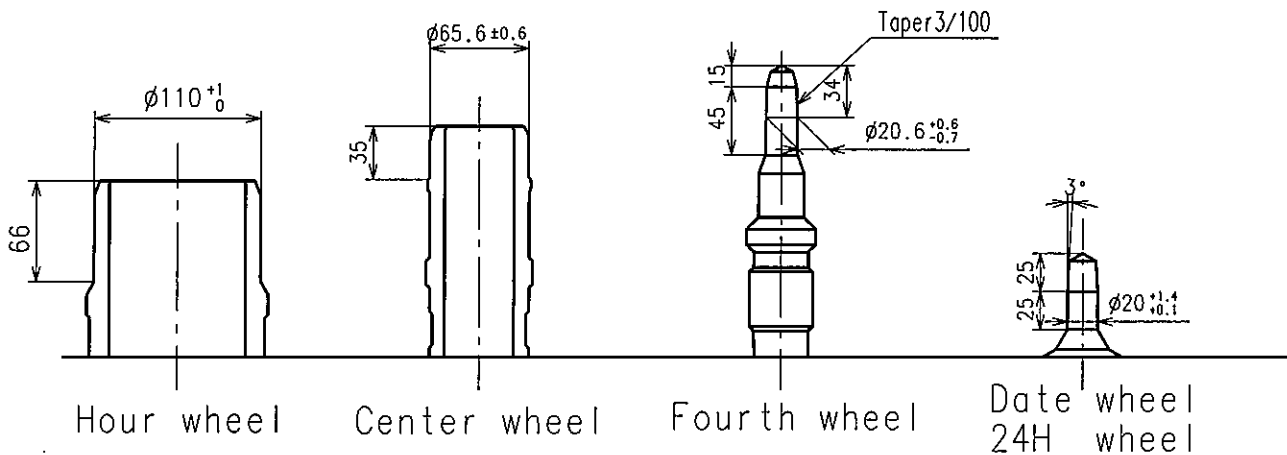


\*1: First pullout stroke

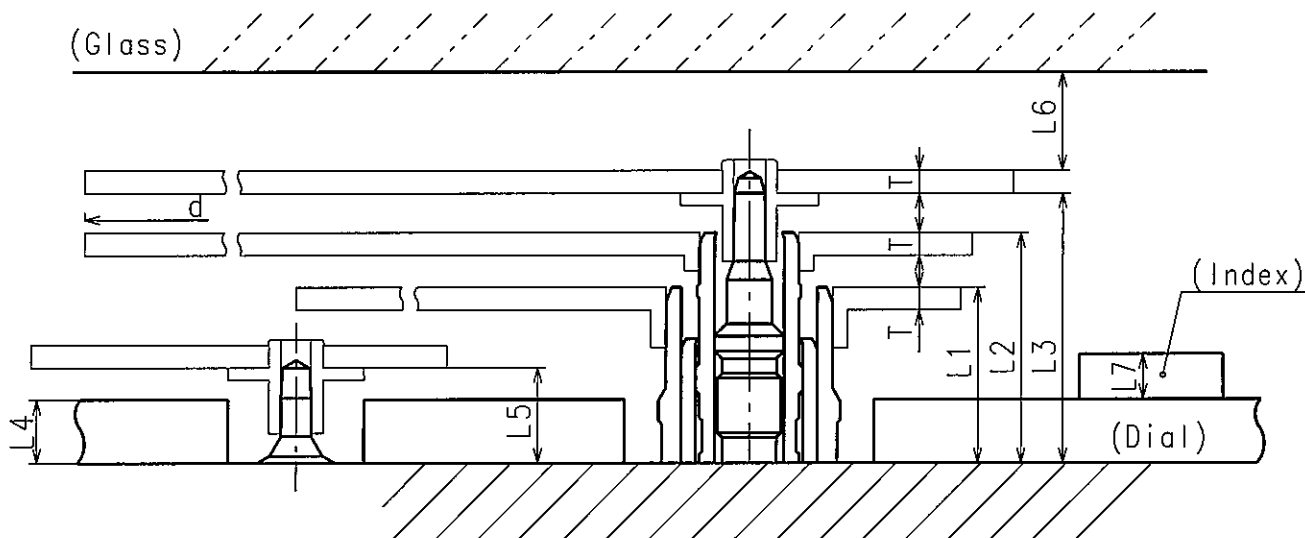
\*2: Second pullout stroke



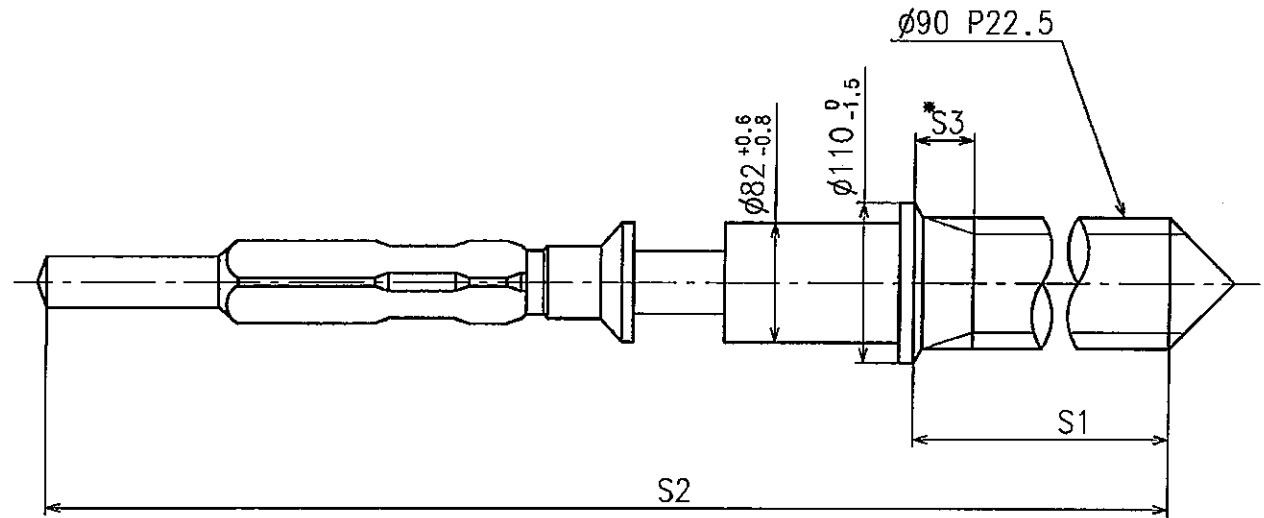
- ※ Hour hand unbalance  $\leq 50 \mu\text{g} \cdot \text{m} (0.5 \mu\text{N} \cdot \text{m})$
- ※ Minute hand unbalance  $\leq 60 \mu\text{g} \cdot \text{m} (0.6 \mu\text{N} \cdot \text{m})$
- ※ Second hand unbalance  $\leq 7 \mu\text{g} \cdot \text{m} (0.07 \mu\text{N} \cdot \text{m})$



	Parts No.				
	Hour wheel	Center wheel	Forth wheel	Date wheel	24H wheel
Type S (1) VX3RE1	0271563	0221575	0241528	0970538	1002503
Type L (3) VX3RE2	0271949	0221588	0241559	0970502	1002533



	L1	L2	L3	L4	L5	L6	L7	T	d
Type S (1) VX3RE1	118	154	180	40	63	MIN: 50	MAX: 30	15	MAX: ø2500
Type L (3) VX3RE2	171	214	242	90	111	MIN: 50	MAX: 30	15	MAX: ø2500

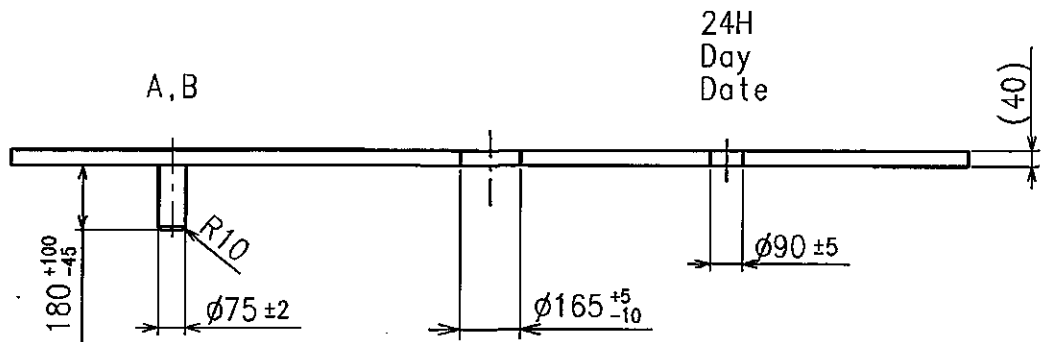
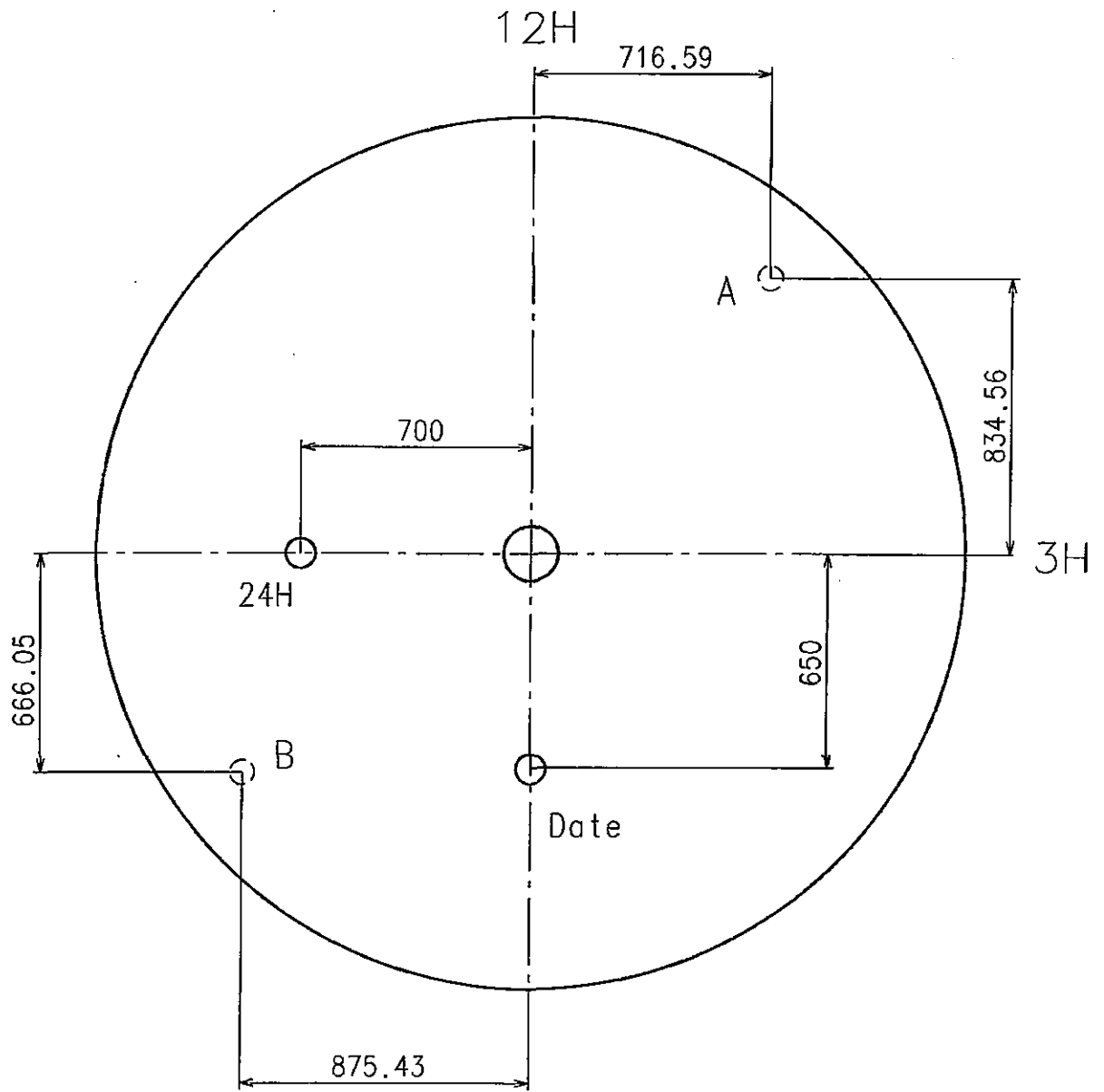


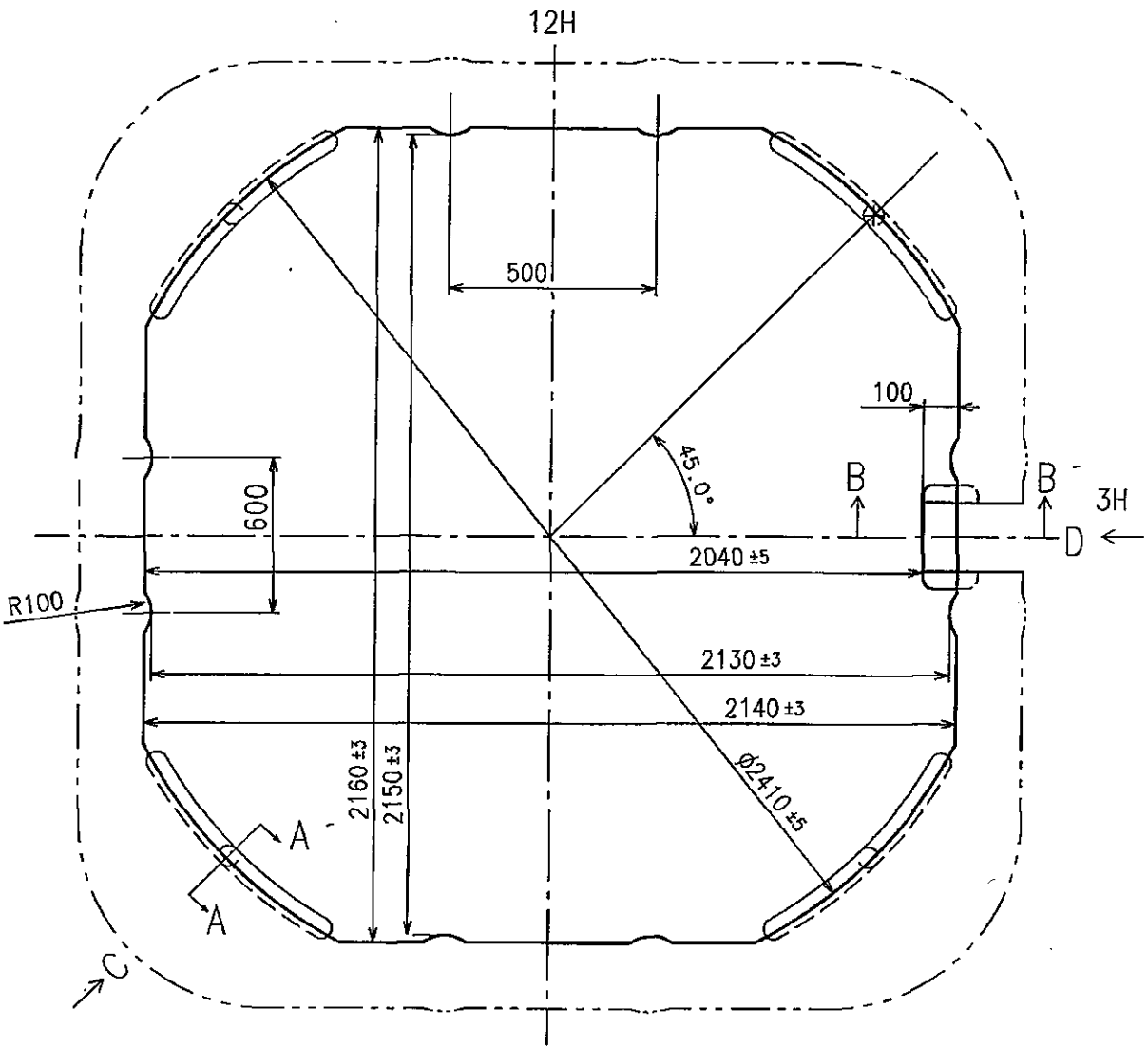
※ Not threaded

	Part No.	S1	S2	※ S3
Type-1 (Standard)	0351177	1366	1964	60
Type-2	0351577	1902	2500	1000

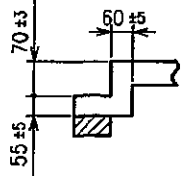
Material : Steel

Hardness : Vickers 600±50

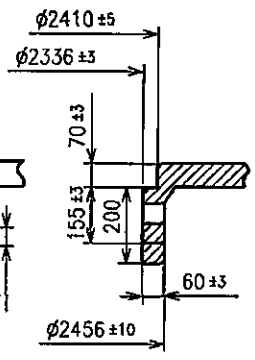




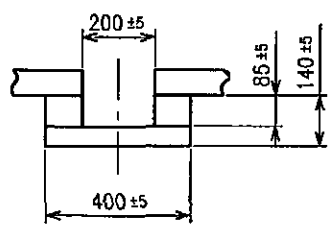
B-B section



A-A section



D view



C view

