



Cal. VX3NE

ϕ 23.3 mm
H 3.05 mm

Items	Rev.	Page
Specifications	02	1
Appearance	01	2
Casing	02	3
Hand fitting	01	4
Hand setting stem	01	5
Dial	00	6
Casing ring	00	7

Date: 9/Mar./'09

S.EPSON Products

MOVEMENT SPECIFICATIONS

CAL. VX3N

Analog Quartz 10 1/2^m Slim Movement / 3 hands (H/M/S) and 3 eyes
with Day / Date / 24Hour indicators

1. MOVEMENT DIMENSIONS

- *Outside diameter ϕ 24.00mm × 21.50mm(3-9H) × 21.50mm(12-6H)
- *Casing diameter ϕ 23.30mm × 21.30mm(3-9H) × 21.50mm(12-6H)
- *Total height 3.05mm (including battery)

2. TIME STANDARD

- *Type of quartz oscillator Tuning fork
- *Frequency of quartz oscillator 32,768 Hz
- *Accuracy \pm 20 seconds per month (on wrist)
- *Operating temperature range -5°C to $+50^{\circ}\text{C}$
- *Regulation device Nil (Pre-adjusted)

3. INDICATOR / FUNCTIONS

- *3 Hands Hour / Minute / Second
- *3 Small hands Day / Date / 24Hour
- *Reset switch
- *Setting mechanism Crown at normal position : Free
Crown pulled out 1st click : Instant date change
Crown pulled out 2nd click : Time setting (Day change) / Reset

4. FEATURES

- *Jewels 0 Jewel
- *Anti-magnetism Over 1600A/m (Direct current magnetic field)
- *Maximum unbalance of hands Second hand : 7 mg·mm
Minute hand : 60 mg·mm
Hour hand : 50 mg·mm

5. BATTERY

- *Type / Size Silver oxide battery / ϕ 9.5mm × t 2.0mm
- *Recommended battery SR920SW (Maxell, Panasonic, Sony, Seizaiken)
- *Nominal voltage 1.55 V
- *Battery life Approx. 3 years
- *Driving current consumption Approx. 1.50 μ A
- *Operation stopping voltage 1.1 V

6. SEPARATED PARTS (Parts code)

- *Hand setting stem 0351177 or 0351577
- *Battery SR920SW

7. TEST OF ACCURACY

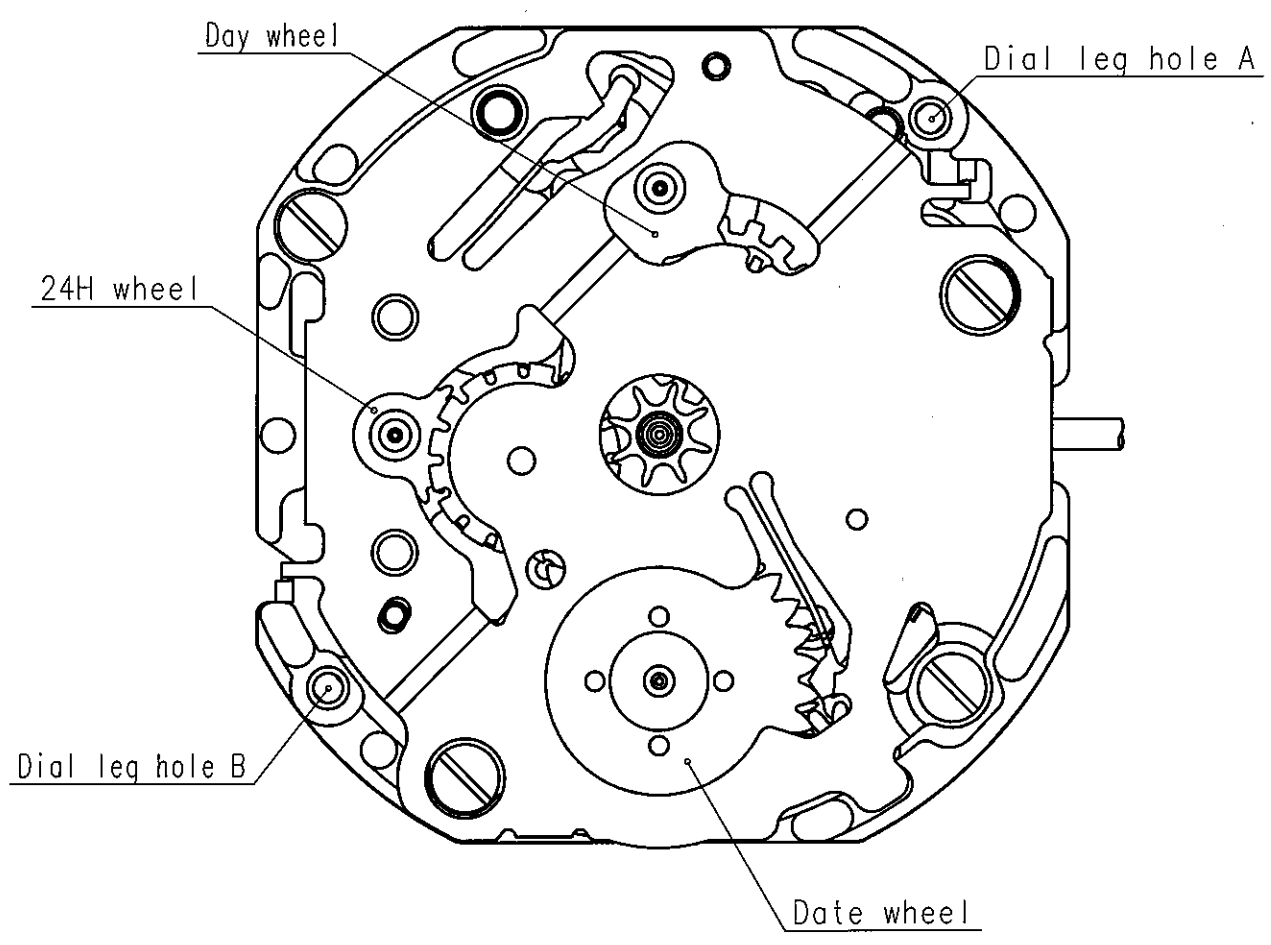
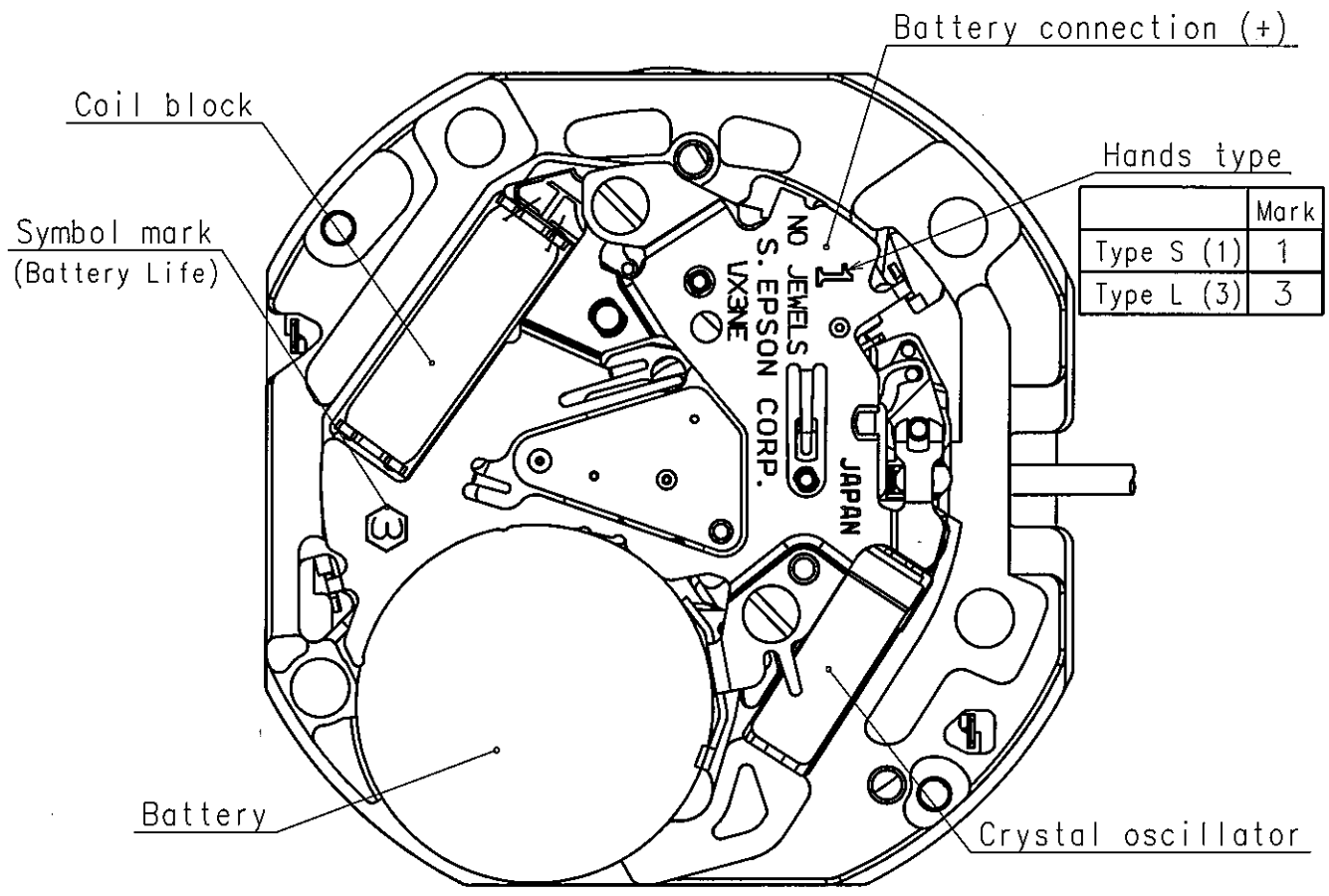
- *Equipment to be used SEIKO quartz tester QT-99,
Greiner quartz timer-C , Witschi Q-tester 4000
- *Duration of measurement 10 seconds
- *Microphone to be used Electromagnetic detection type

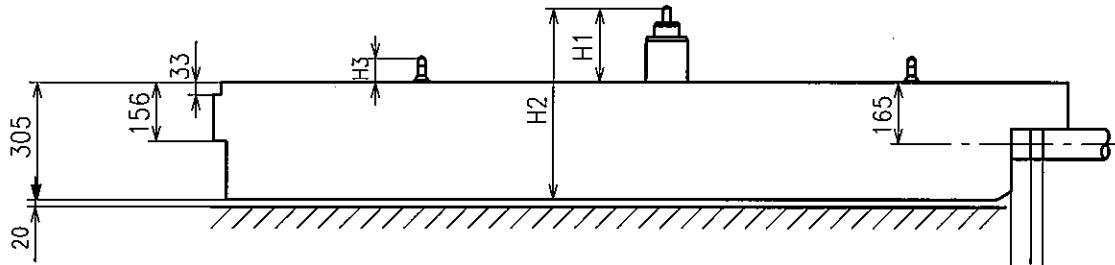
All specifications are subject to change without notice.

Cal.
VX3NE

Appearance

Date: 9/Mar./'09
Rev.: 01



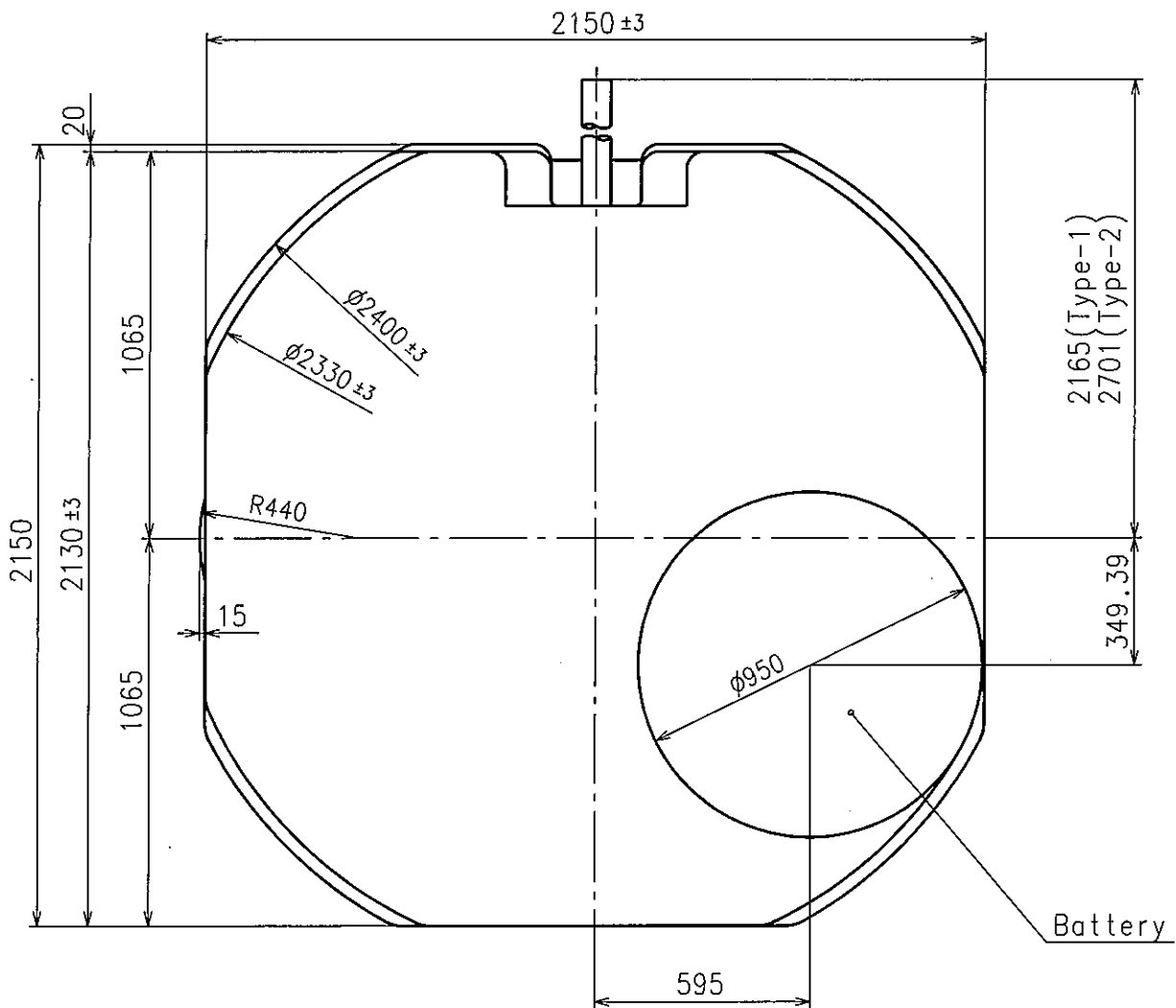


Center post		Type S (1) VX3NE1	Type L (3) VX3NE2
Maximum height from dial support	H1	180	242
Total height incl. movement	H2	485	547
Maximum height from dial support	H3	63	111

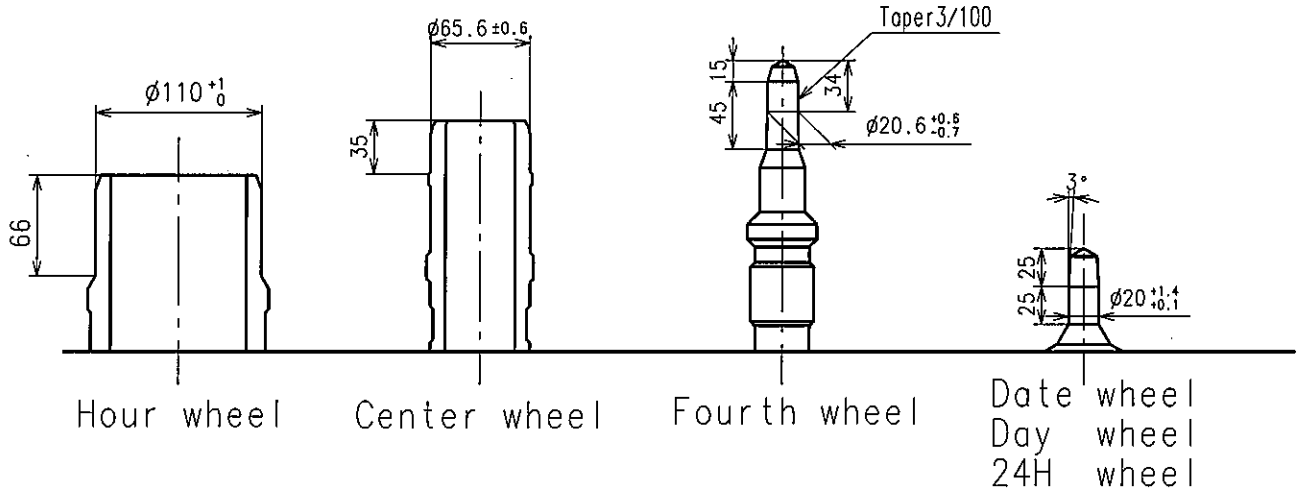


*1: First pullout stroke

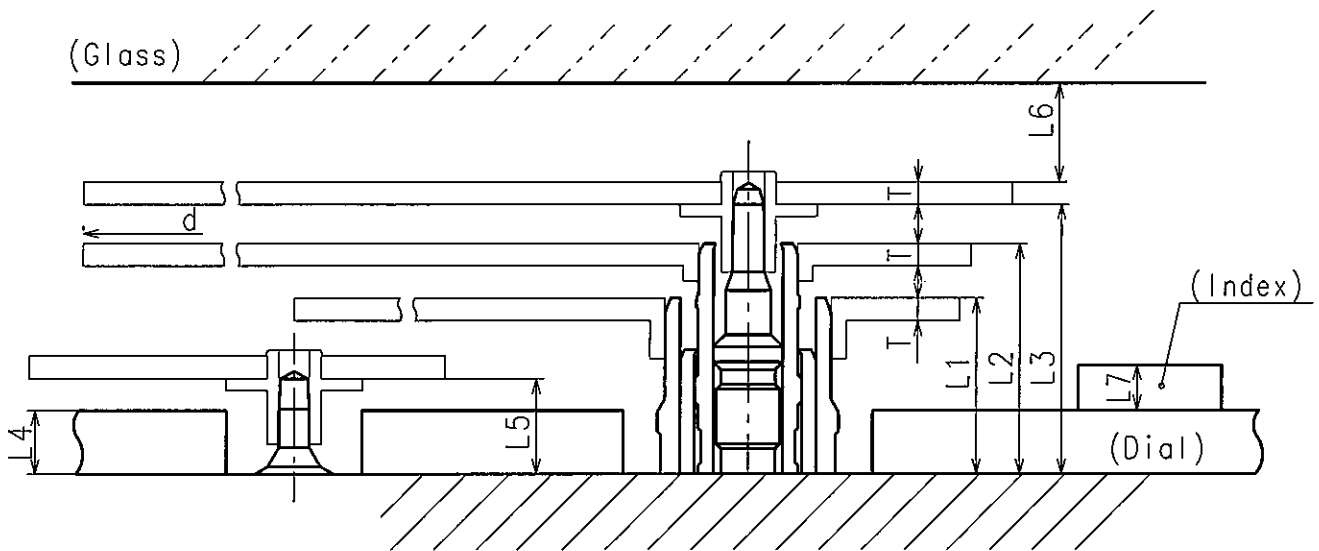
*2: Second pullout stroke



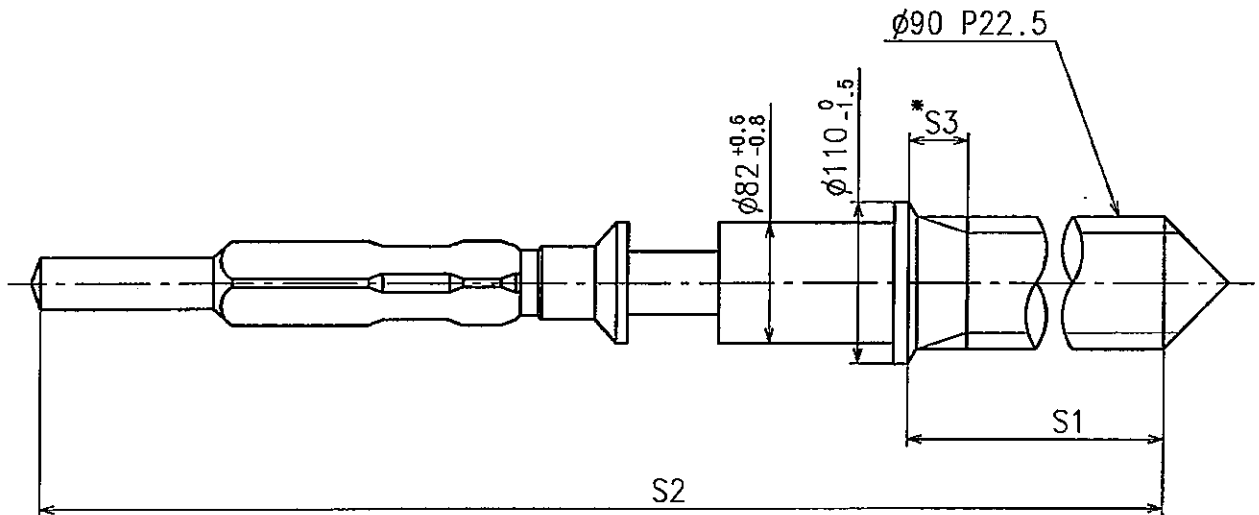
- ※ Hour hand unbalance $\leq 50\mu\text{g}\cdot\text{m}$ ($0.5\mu\text{N}\cdot\text{m}$)
- ※ Minute hand unbalance $\leq 60\mu\text{g}\cdot\text{m}$ ($0.6\mu\text{N}\cdot\text{m}$)
- ※ Second hand unbalance $\leq 7\mu\text{g}\cdot\text{m}$ ($0.07\mu\text{N}\cdot\text{m}$)



	Parts No.					
	Hour wheel	Center wheel	Forth wheel	Date wheel	Day wheel	24H wheel
Type S (1) VX3NE1	0271563	0221575	0241528	0970538	1002549	1002503
Type L (3) VX3NE2	0271949	0221588	0241559	0970502	1002532	1002533



	L1	L2	L3	L4	L5	L6	L7	T	d
Type S (1) VX3NE1	118	154	180	40	63	MIN: 50	MAX: 30	15	MAX: $\phi 2500$
Type L (3) VX3NE2	171	214	242	90	111	MIN: 50	MAX: 30	15	MAX: $\phi 2500$

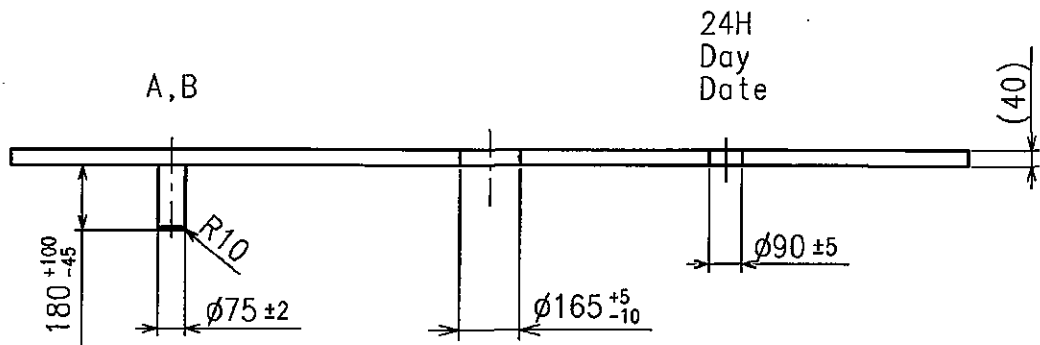
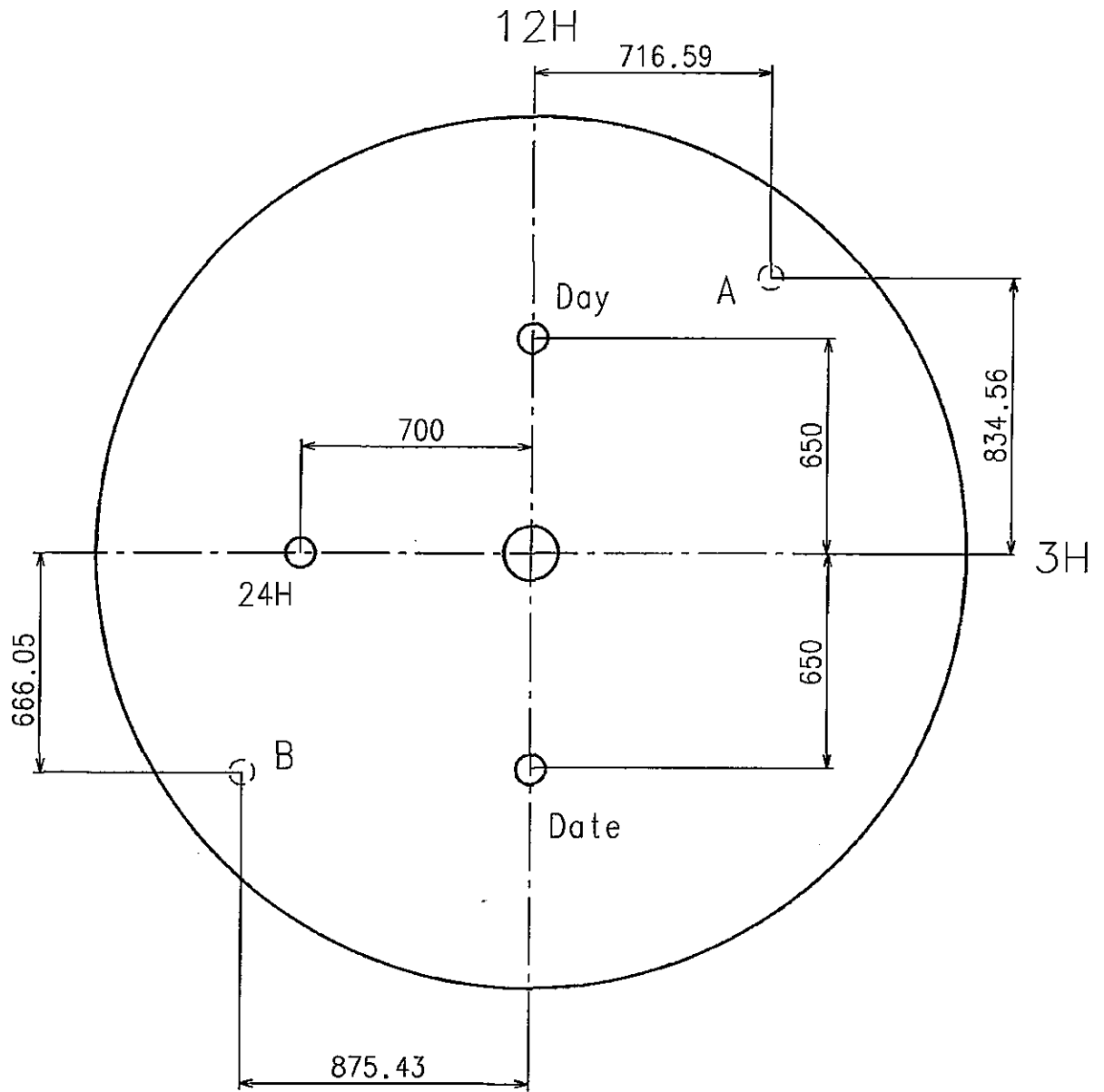


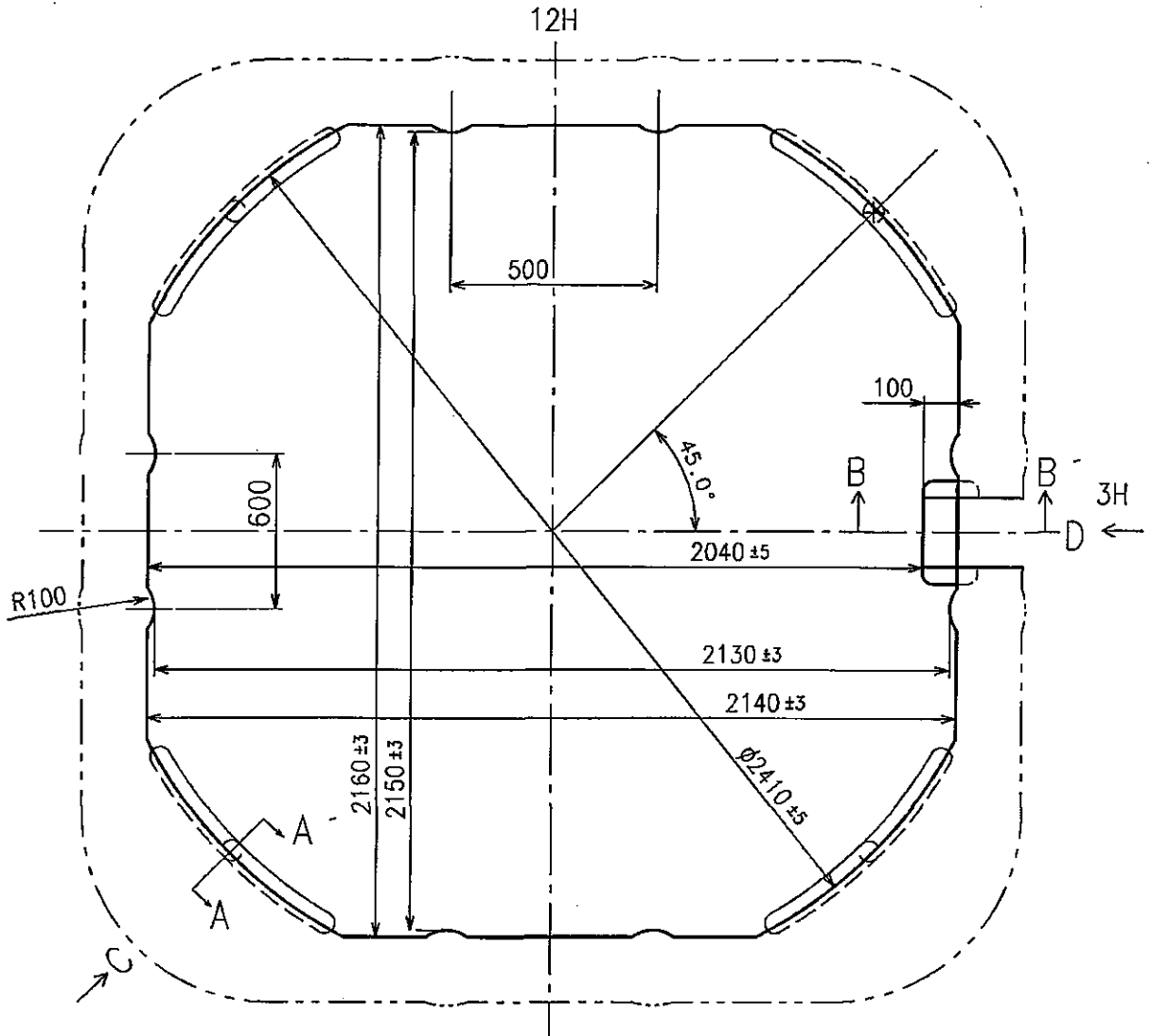
※ Not threaded

	Part No.	S1	S2	※ S3
Type-1 (Standard)	0351177	1366	1964	60
Type-2	0351577	1902	2500	1000

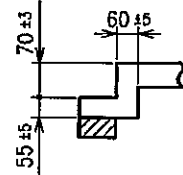
Material : Steel

Hardness : Vickers 600±50

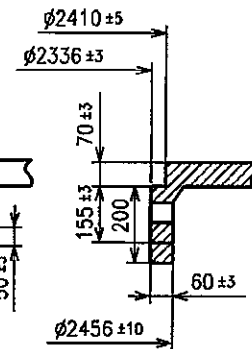




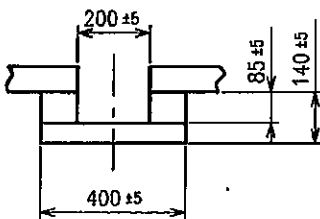
B-B' section



A-A' section



D view



C view

