



Cal. VS75A

ϕ 27.0 mm
H 4.4 mm

Items	Rev.	Page
Specifications	00	1
Appearance	00	2
Casing	00	3
Hand fitting	00	4
Hand setting stem	00	5
Dial	00	6
Solar cell unit	00	7
Features	00	8
Attention-01	00	9
Attention-02	00	10
Operation-01	00	11
Operation-02	00	12

Date: 30/Sep./'11

S.EPSON Products

CAL. VS75AAnalog Quartz 12^{'''} Center second Chronograph Movement**1. MOVEMENT DIMENSIONS**

Outside diameter	ϕ 27.60mm(12H-6H) × 24.00mm(3H-9H)
Casing diameter	ϕ 27.00mm(12H-6H)
Total height	4.4mm (including battery)

2. TIME STANDARD

Type of quartz oscillator	Tuning fork
Frequency of quartz oscillator	32,768 Hz
Accuracy	±20 seconds per month (on wrist)
Operating temperature range	-5°C to +50°C
Regulation device	Nil (Pre-adjusted)

3. INDICATOR / FUNCTIONS

3 Hands	Hour / Minute / 1/5 second chronograph hand (Center)
Small hands	Small second hand (9H) /24 hour hand (3H) Minute Chronograph hand (6H)
Calendar	Instant setting device for date calendar
Reset switch	
Power depletion warning function (BLD)	
	(Second hand moves at 2-second intervals when voltage is 1.2V)
Working time	Approx. 6 months (After fully charged)
Charging time	Approx. 5 hours (Under 100 KLX sunlight) Approx. 65 hours (Under 3000LX fluorescent lamp)
Setting mechanism	Crown at normal position : Free Crown pulled out 1st click : Instant date change Crown pulled out 2nd click : Time setting / Reset : Chronograph hand reset
Chronograph	2H button: start / stop 4H button: split / reset

4. FEATURES

Jewels	0 Jewel
Anti-magnetism	Over 1600A/m (Direct current magnetic field)
Driving current consumption	Approx. 0.65 μ A (1.35V , Chronograph non-operates)
Operation stopping voltage	1.0V
Solar cell type	Amorphous silicon solar cell
Maximum unbalance of hands	Small second hand : 0.03 μ N·m (3 μ g·m) Minute chronograph : 0.03 μ N·m (3 μ g·m) 1/5 second chronograph hand : 0.09 μ N·m (9 μ g·m) 24 huor hand : 0.03 μ N·m (3 μ g·m) Minute hand : 0.70 μ N·m (70 μ g·m)
Inertia of second hand's moment	1/5 second chronograph hand : less than 0.12 μ g·m ²

5. SECONDARY BATTERY (Installed)

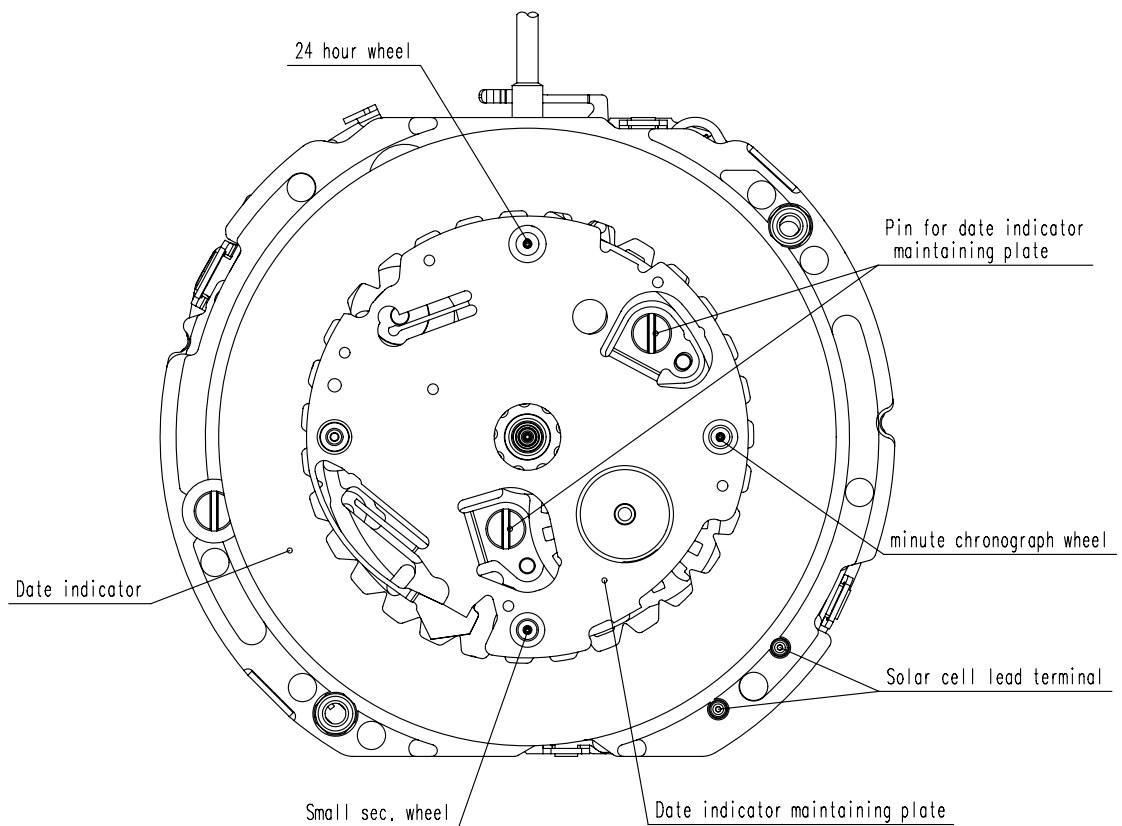
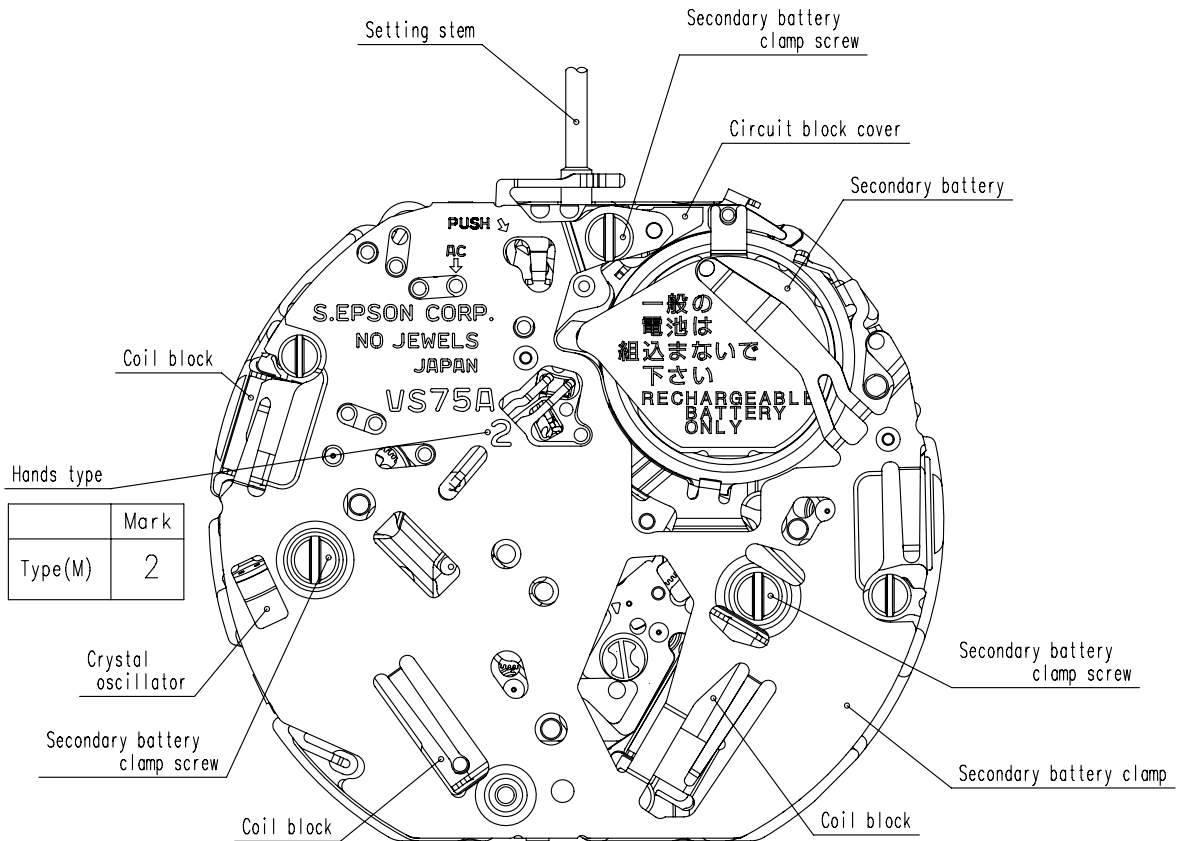
Type	Titanium-lithium-ion second battery
Size	ϕ 9.5 × t 2.05 mm
Capacity	5mAh
Nominal voltage	1.5V

6. SEPARATED PARTS (Parts code)

Hand setting stem	0351587
Secondary battery	302324H
Solar cell unit	4020552
Solar cell lead terminal (2 pcs)	4281516
Untransparent plate	4453500

7. TEST OF ACCURACY

Equipment to be used	SEIKO quartz tester QT-99 Greiner quartz timer-C , Witschi Q-tester 4000
Duration of measurement	10 seconds
Microphone to be used	Electromagnetic detection type



※ Unbalance

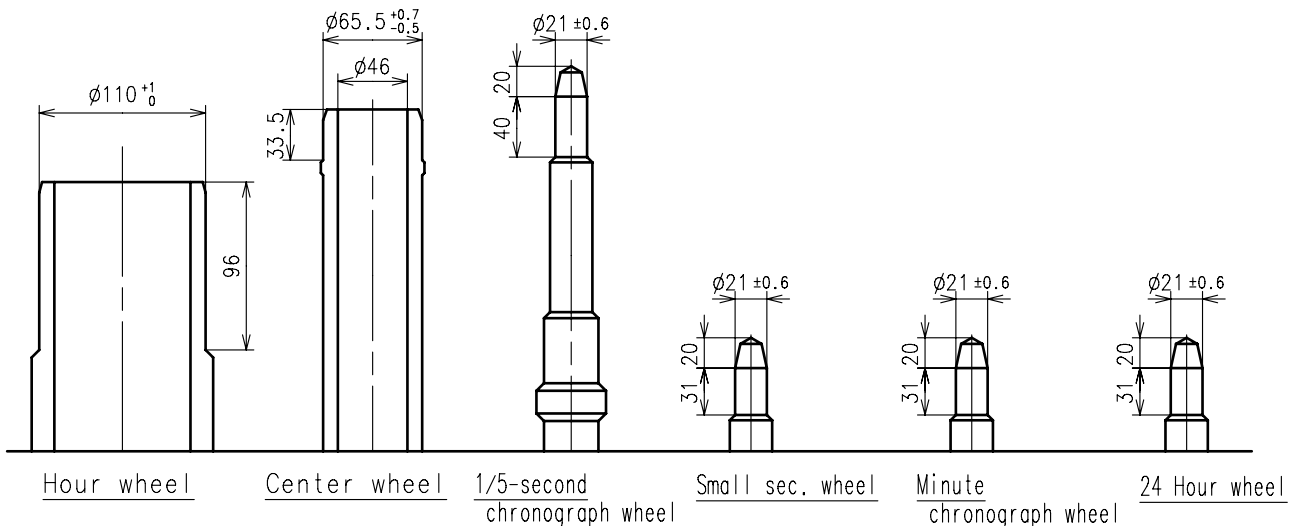
- Small sec hand
- Minute Chronograph hand
- 1/5-sec. Chronograph hand
- Minute hand
- 24 Hour hand

- ≦ 0.03μ N · m (3μ g · m)
- ≦ 0.03μ N · m (3μ g · m)
- ≦ 0.09μ N · m (9μ g · m)
- ≦ 0.70μ N · m (70μ g · m)
- ≦ 0.03μ N · m (3μ g · m)

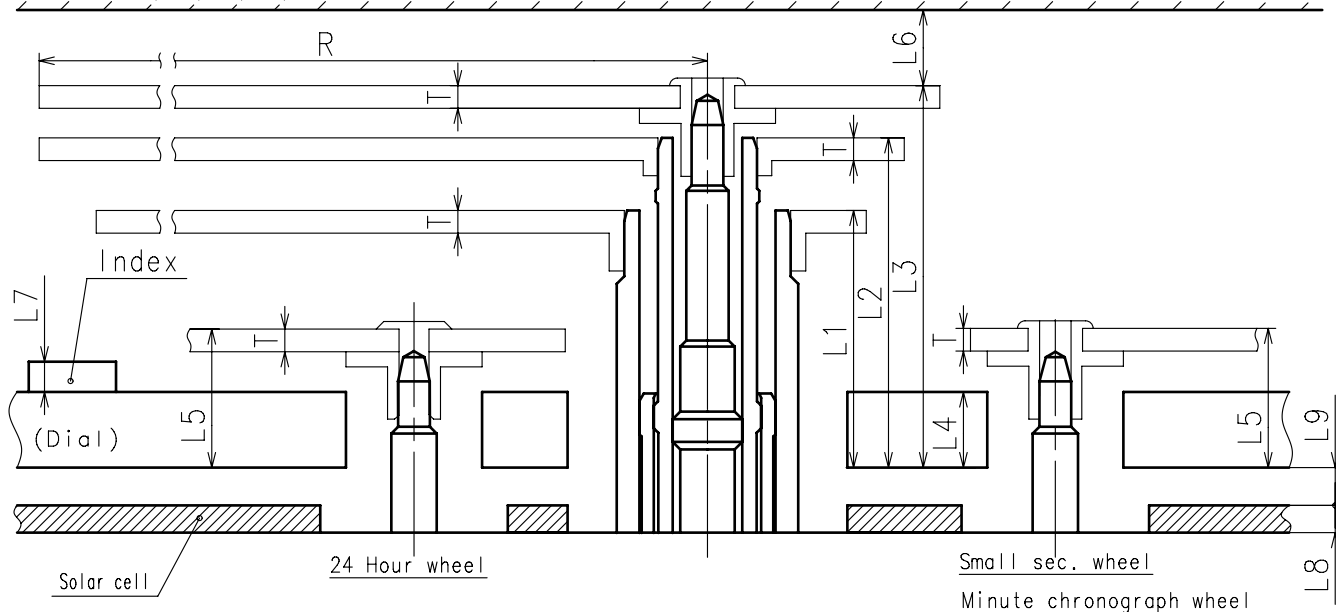
※ Moment of inertia

- 1/5-sec. chronograph hand

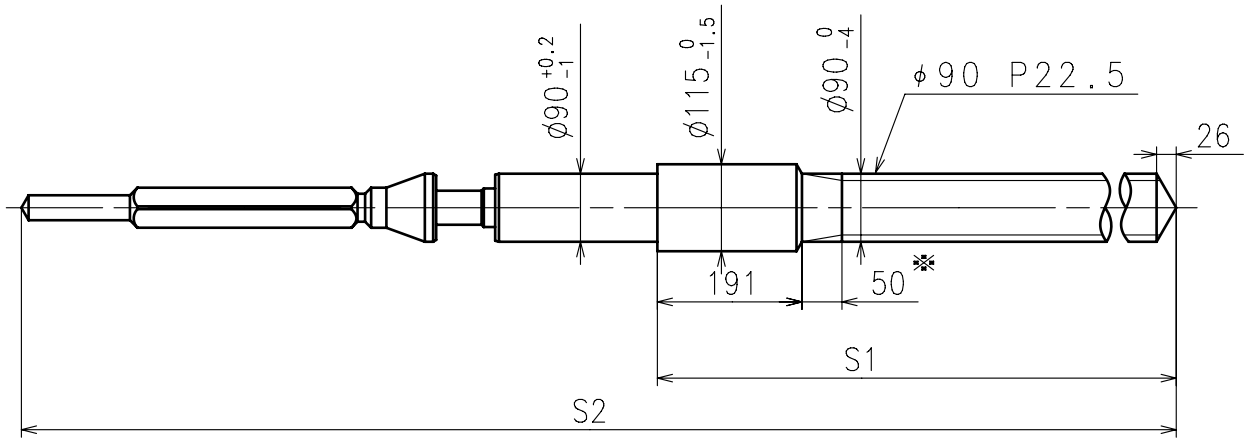
- ≦ 0.12μ g · m²



	Parts No.					
	Hour wheel	Center wheel	1/5-second chronograph wheel	Small sec. wheel	Minute chronograph wheel	24 Hour wheel
Type M (2) VS75A**	0271636	0221604	0888501	0240511	0902500	1002534



	L1	L2	L3	L4	L5	L6	L7	L8	L9	T	R
Type M (2) VS75A**	178	226	261	50	90	MIN: 50	MAX: 50	18	20	15	MAX: 1250



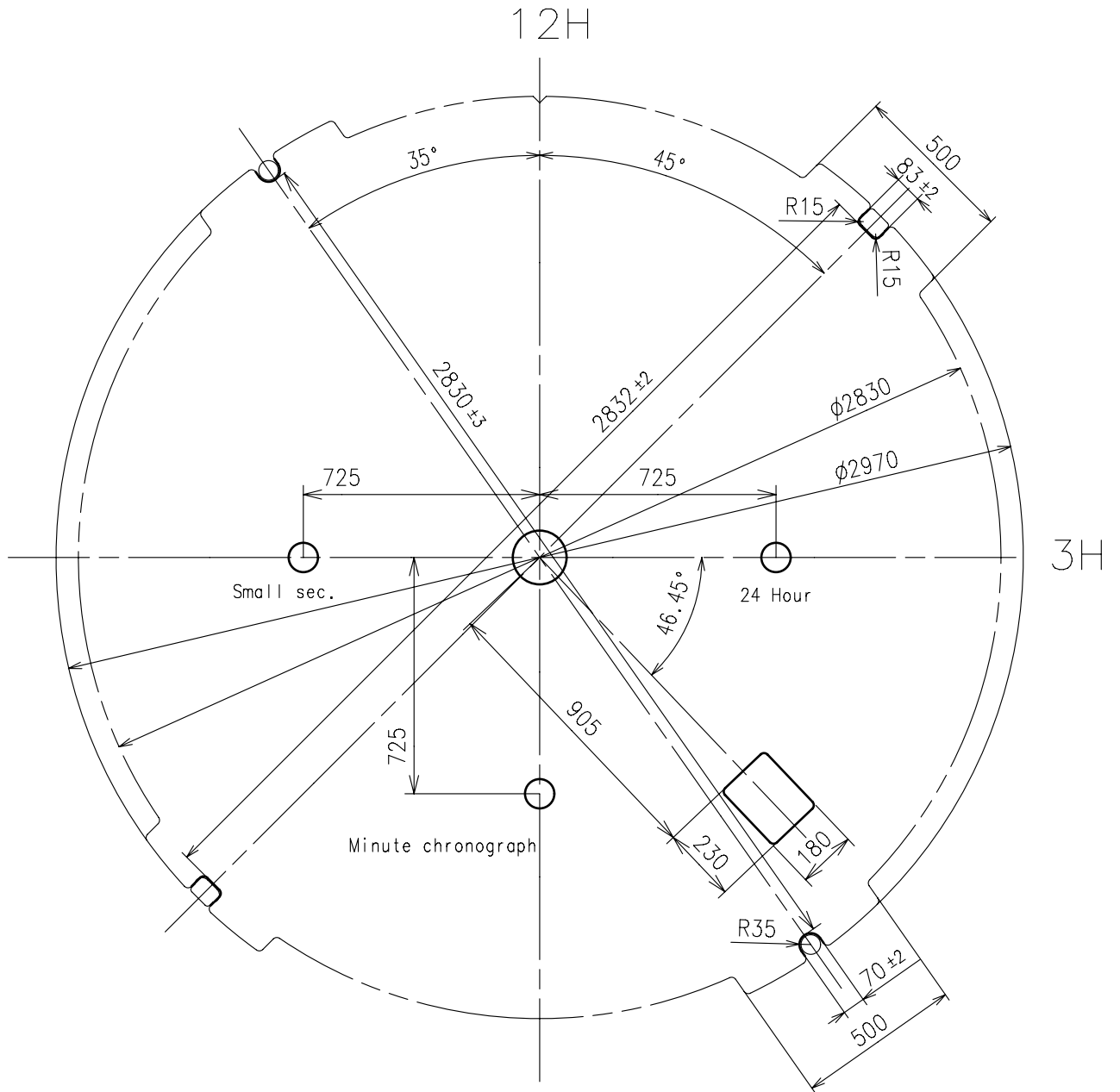
* Not threaded

	Part No.	S1	S2
Standard	0351587	1367	2208

Material : Steel

Hardness : Vickers 600 ± 50

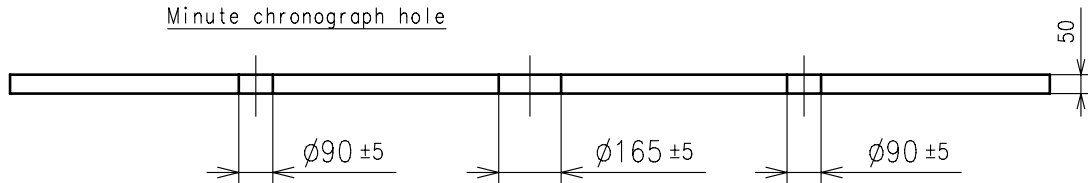
Transmit light more than 30%

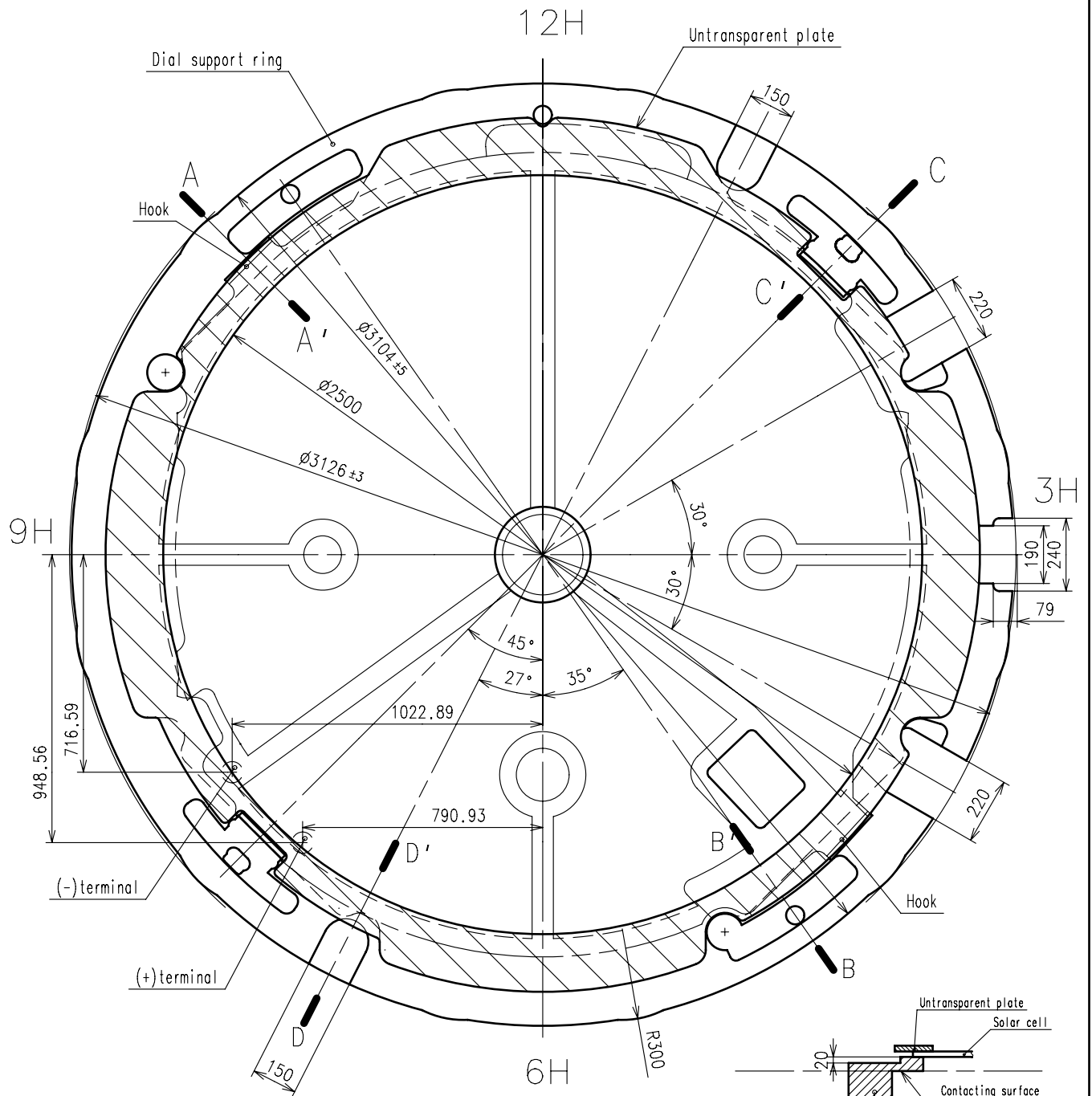


Small sec. hole

24 Hour hole

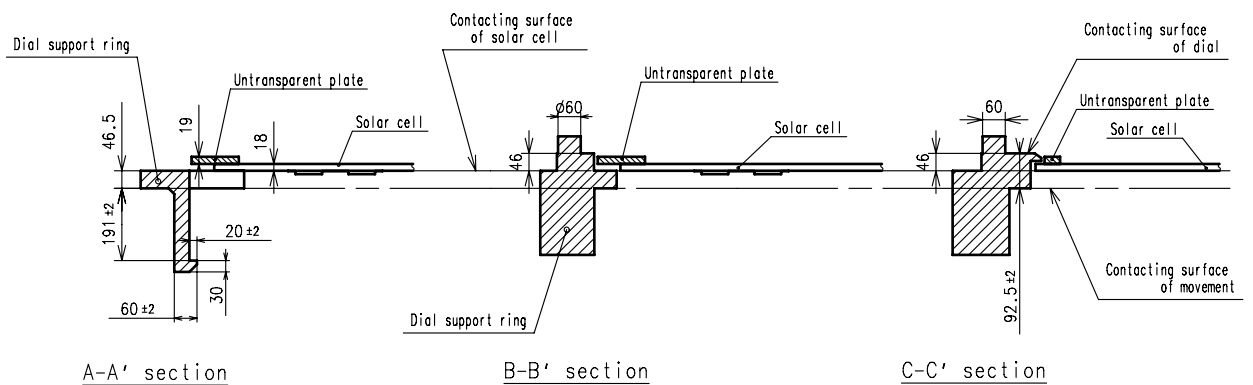
Minute chronograph hole





Case body inside diameter: $\phi 3125$

D-D' section



VS75A Features

1. Solar-powered watch

This watch is a solar-powered watch containing a solar cell underneath the dial to convert any form of light into " electrical energy" and store the power in a secondary battery.

2. Eliminating the need for battery replacement

Unlike conventional quartz watches, this watch does not use a silver oxide battery, thus eliminating the need for battery replacement.

3. Working time

Expected life per charge from full charge to stoppage will be around 6months.

4. Power depletion warning function

The two-second interval movement of the second hand is a signal of energy depletion.

The watch continuous working time after two-second interval movement is approximately 1 week.

When the second hand starts moving at two-second intervals, please charge the watch by exposing it to light.

5. Eco-friendly

The secondary battery is Titanium-lithium-ion battery without any environmentally harmful substances.

6. Over charge prevent function is equipped

If the secondary battery is charged more than predetermined voltage, over charge prevent function is operated to prevent the secondary battery deterioration and breakage.

VS75A Attention-01

Date : 30/Sep./11

Rev. : 00

1. Attention for solar cell unit

- Please pay attention not to scratch the surface of solar cell unit.

2. Attention for dial transparency rate

- Please use the dial with transparency rate more than 30%.
(Effective aperture is $\phi 2700$)

3. The guideline of charging time is as in below

(Dial transparency rate = 30%)

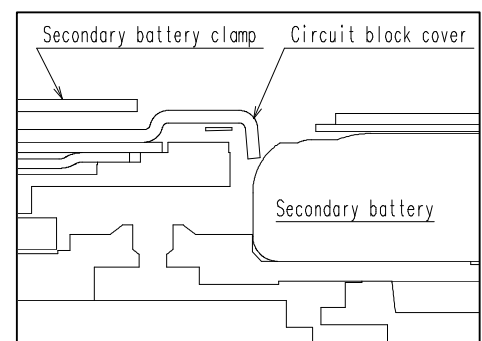
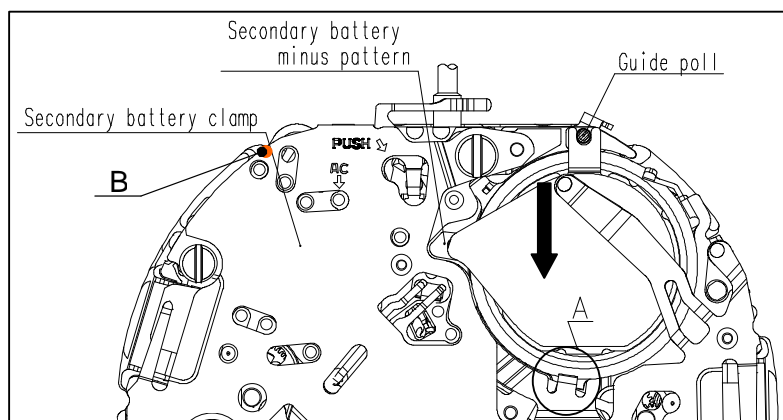
Illumination (Lx)	Source of light	Environment	A (Approx. Hours)	B (Approx. Hours)	C (Approx. Minutes)
700	A fluorescent lamp	Inside the office	—	35	90
3,000		30W 20cm	65	8	20
10,000	Sun light	Cloudy	18	2.5	6
100,000		Fine weather	5	36 minutes	2

* For reference: 1,000Lx is 70cm under from 30W fluorescent lamp

- Condition A : Time required for full charge
- Condition B : Time required for steady operation
- Condition C : Time to charge 1 day of power

4. Secondary battery replacement

- Please set the exclusive secondary battery.
- Please set the secondary battery with the plus part toward the inside of the watch.
- When you assemble or change the secondary battery, it is recommended to pull out three secondary battery clamp screws first, and then take out the secondary battery clamp in order not to add the damage to the movement part.
- When you assemble the secondary battery without taking out the secondary battery clamp, please refer to the picture in below and set the secondary battery from the [→] direction.
- Secondary battery guide must be connected to "Guide pole" (Please refer to this illustration.)
- Please check whether the secondary battery lead plate is surely connected to the secondary battery minus pattern.
- Regarding the [A] part of the following chart, it is recommended that the secondary battery must be under the circuit block cover.
- It is necessary to do system-reset, after assembling the secondary battery.
Please short the circuit pattern "AC" and the secondary battery clamp for more than 2 seconds.
Please short out the circuit pattern "B" and the secondary battery clamp more than 2 seconds.
It sense the polarity of each motor automatically.
- Please set the 1/5-second CG hand, minute CG hand and Alarm hand at "0" position.

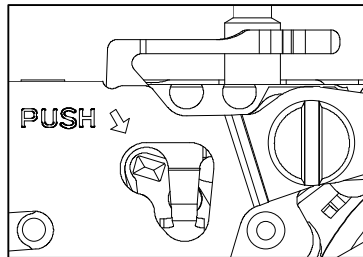


A Section

5. How to pull out the setting stem

- Please pull out the crown at 1st click and then pull out the stem while you are pressing the hollow part of the setting lever by tweezers.
- If the stem is not at 1st position, it is impossible to be pulled out.

(Crown pulled out at 1st click)



6. Attention of casing part structure

- Please use the exclusive Dial support ring to fix the movement tightly inside of the case, and to stabilize the button switching stroke.
As to the shape and tolerance, please refer to the [Solar cell unit] page instruction.
- Please use the metal case to prevent movement from being mal-functioned by static electricity.
- In order not to push the minute hand too much, the second wheel have a safety stopper structure.
However, please pay attention for the friction between hour hand and minute hand.

7. Attention to set each hand

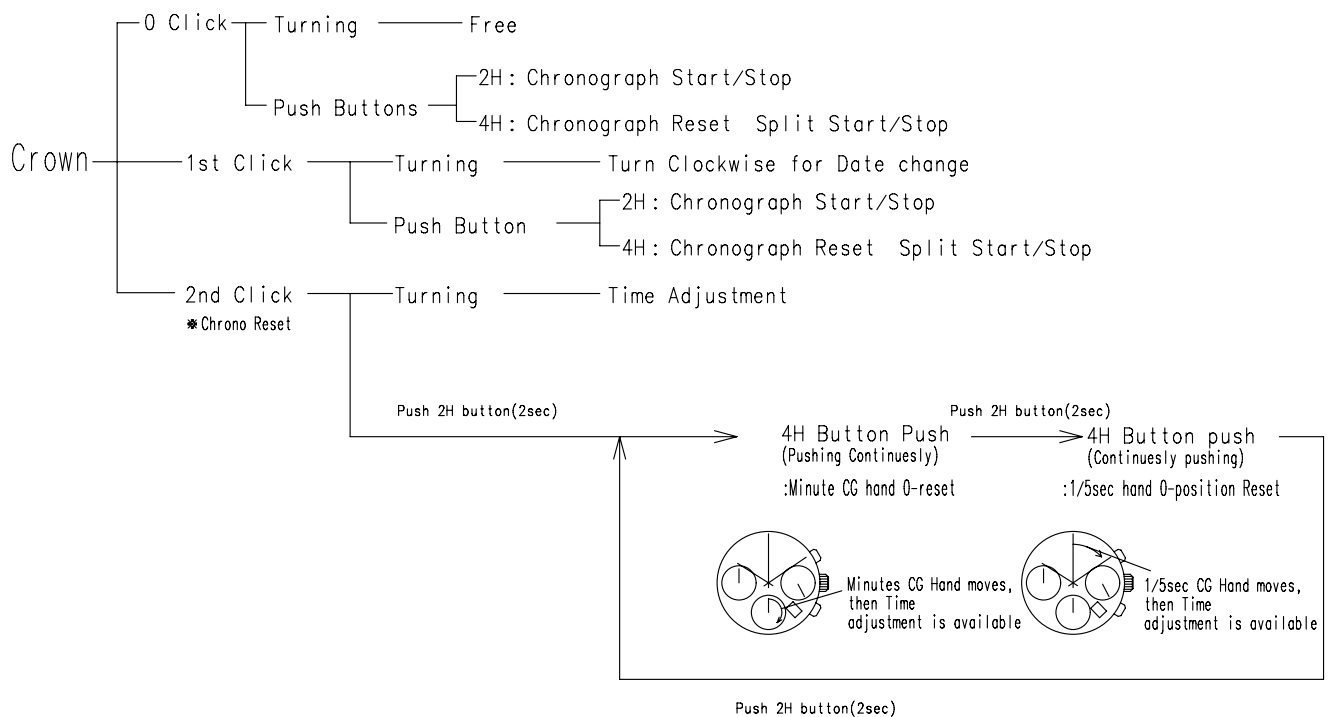
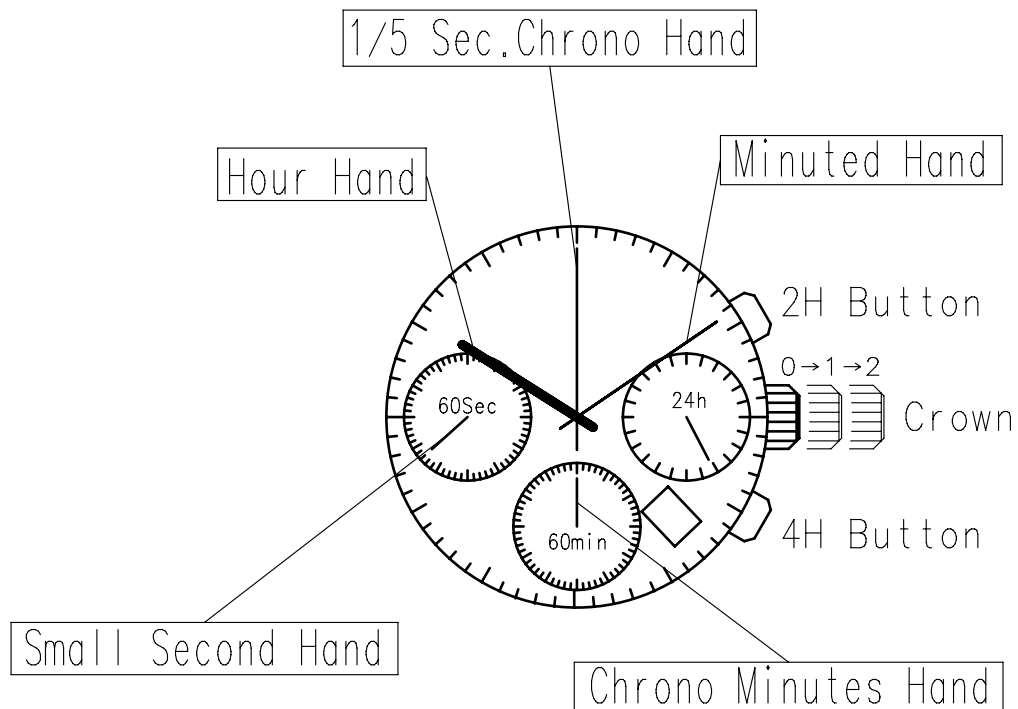
- Hand moves at one-second interval. Please set the each hand at correct position according to the scale of the dial in order not to make a mistake to read the time.

8. How to take off the hand

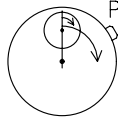
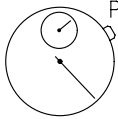
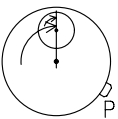
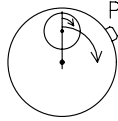
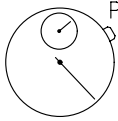
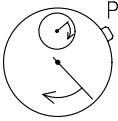
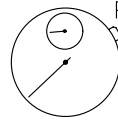
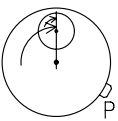
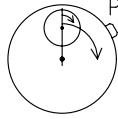
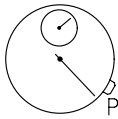
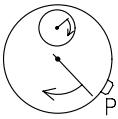
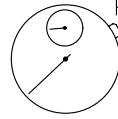
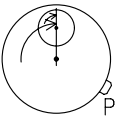
- When you take off the hand, please use the fork-shaped exclusive tools.
- Please do not take the dial when any hands are assembled.

9. Caution

- When charging the watch, do not place it too close to fluorescent lamp or other light sources as the watch temperature will become extremely high, causing damage to the parts inside the watch.



At 2nd click position, system-reset is possible by pushing the 2H button and 4H button for more than 2 seconds simultaneously.

Chronograph Operation (Crown 0-Click)					
Total Time	START	STOP			RESET
					
Accumulated Time	START	STOP	RESTART	STOP	RESET
					
Split Time	START	SPLIT	RESPLIT	STOP	RESET
					

Chronograph hand stop running after 60minutes.

Input operation invalid at second hand moves at 2-second intervals.